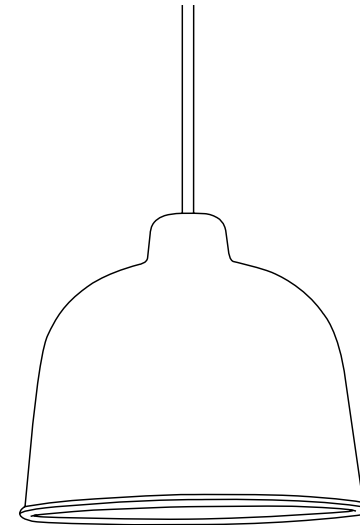


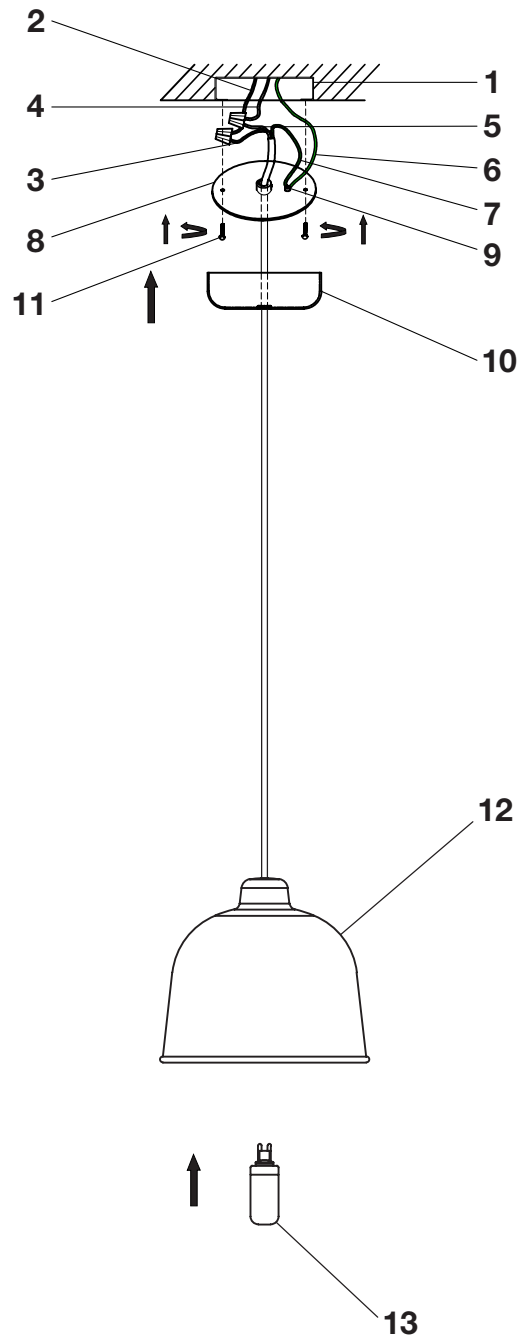
# GRAIN PENDANT LAMP

## CLEANING

Turn off electricity, clean with dry cloth



- 1 Outlet box
- 2 Black supply wire
- 3 Black fixture wire
- 4 White supply wire
- 5 White fixture wire
- 6 Green supply ground wire
- 7 Green fixture ground wire
- 8 Crossbar
- 9 Green ground screw
- 10 Decorative cover
- 11 Crossbar mounting screw
- 12 Lamp holder
- 13 Bulb



## INSTALLATION & OPERATING INSTRUCTIONS

**CAUTION:** Before assembling your lighting fixture, refer to the section entitled ELECTRICAL CONNECTIONS. If you feel you do not have electrical wiring experience, consult a qualified licensed electrician before installing.

**WARNING:** Most dwellings built before 1985 have supply wire rated 60. Some fixtures require supply wire rated for temperatures greater than 60 and are so identified on packaging and on the fixture's supply wires. Consult a qualified licensed electrician before installing.

### GENERAL

1. To ensure the success of the installation, review the diagrams and instructions thoroughly before beginning.
2. All electrical connections must be in accordance with local codes, ordinances, and the National Electrical Code.
3. These fixtures are intended to be connected to a standard 4" x 2-1/8" UL Listed outlet box directly supported by the building structure.
4. Before starting the installation, disconnect the power supply by turning off the circuit breaker or by removing the fuse at the power off. Using the light switch is not sufficient to prevent electrical shock.

**NOTE:** The safeguards and instructions appearing in this manual are not meant to cover all possible conditions and situations that may occur. It must be understood that common sense, caution, and reasonable care are factors which cannot be built into any product, these factors must be supplied by the person(s) caring for and operating the fixture.

### CAUTION:

TURN OFF ELECTRICITY BEFORE PROCEEDING!  
PREPARE THE FIXTURE & OUTLET BOX (See the diagram)

1. If replacing an existing fixture, disconnect and remove the old fixture. Expose the supply wiring from the outlet box. (1)
2. Attach crossbar to the outlet box using the two screws supplied with the outlet box. (8, 11)
3. Feed fixture wires through crossbar. (3, 5, 7, 8)
4. Make electrical connections. Refer to the ELECTRICAL CONNECTIONS section below.

### ELECTRICAL CONNECTIONS

**NOTE:** Use UL listed wire connectors suitable for the size, type, and number of conductors. No loose strands or loose wires should be present. Secure all splices with UL listed electrical tape.

1. Connect the green grounding wire of the supply circuit to the green grounding screw on the crossbar. (6, 9) Leave a sufficient length of supply grounding wire for connection to the fixture grounding conductor.
2. Connect the green grounding wire of the supply to the green wire of the fixture. (6, 7)
3. Connect the white supply wire to the white common lead wire of the fixture. (4, 5)
4. Connect the black supply wire to the black power lead wire of the fixture. (2, 3)

### FINAL ASSEMBLY

1. Spread electrical splices so that the black supply lead wire is on one side of the outlet box and the common and grounding conductors are on the other. Splices should carefully be turned inward inside the outlet box.
2. Place the fixture so the outlet box and splices are completely covered by the decorative cover.
3. Fixture assembly, please refer to the drawing.
4. Insert light bulb. Refer to the lamping information supplied on the fixture.
5. Restore power

**Your fixture is now ready for use.**