

Onion Pendant Small

Design by VERNER PANTON

Please read thoroughly before assembly

1

IMPORTANT!

ALWAYS TURN OFF THE ELECTRICAL CURRENT BEFORE INSTALLING ANY FIXTURE!

MAKE SURE THE MOUNTING BRACKET IS FIRMLY FIXED.

2

HOW TO HANG THE LAMP FROM THE CEILING

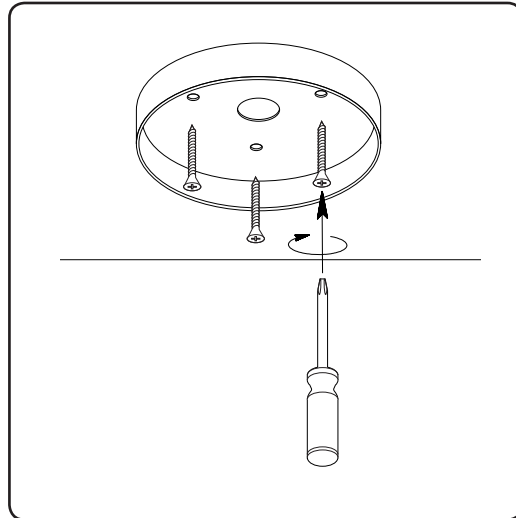
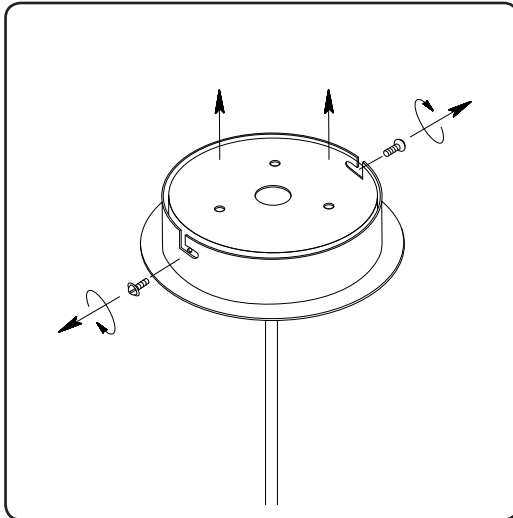
1. DETERMINE THE DESIRED HEIGHT OF THE HANGING LAMP. THEN SECURE THE BLACK HANGING WIRE TIGHTLY TO THE WIRE LOCK ON THE MOUNTING BRACKET.

2. FASTEN THE LAMP'S ELECTRIC WIRES TO THE POWER SOURCE WIRES WITH TWIST-ON CONNECTORS. FASTEN THE COPPER GROUND WIRE.

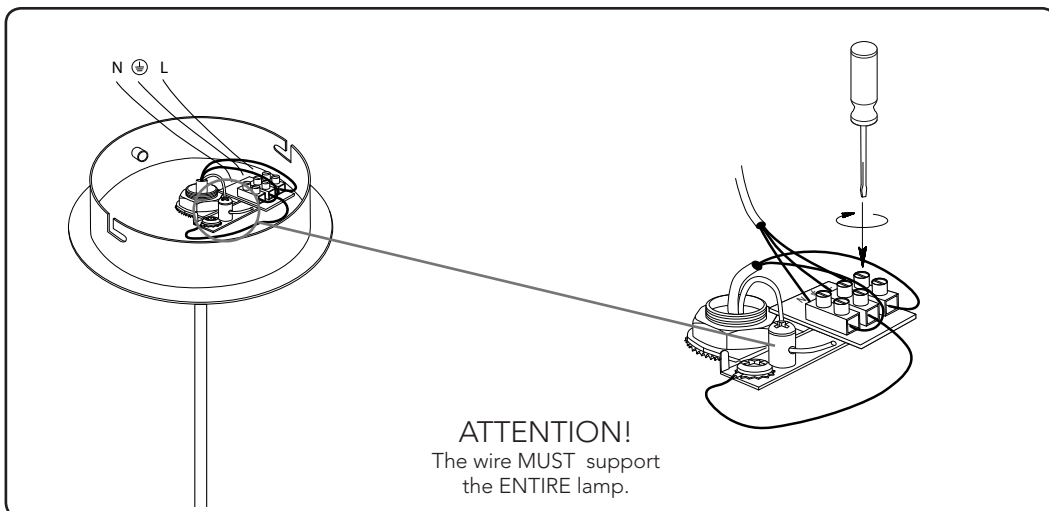
3. SCREW THE LAMP MOUNTING BRACKET ONTO THE CEILING OUT-LET BOX WITH MOUNTING SCREWS

4. SLIDE THE CANOPY TO THE CEILING AND TIGHTEN HOLDING SCREWS.

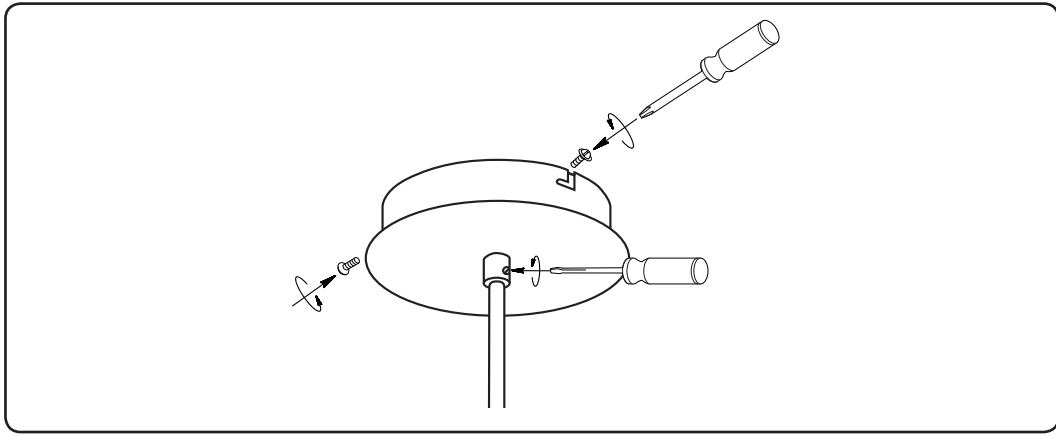
3



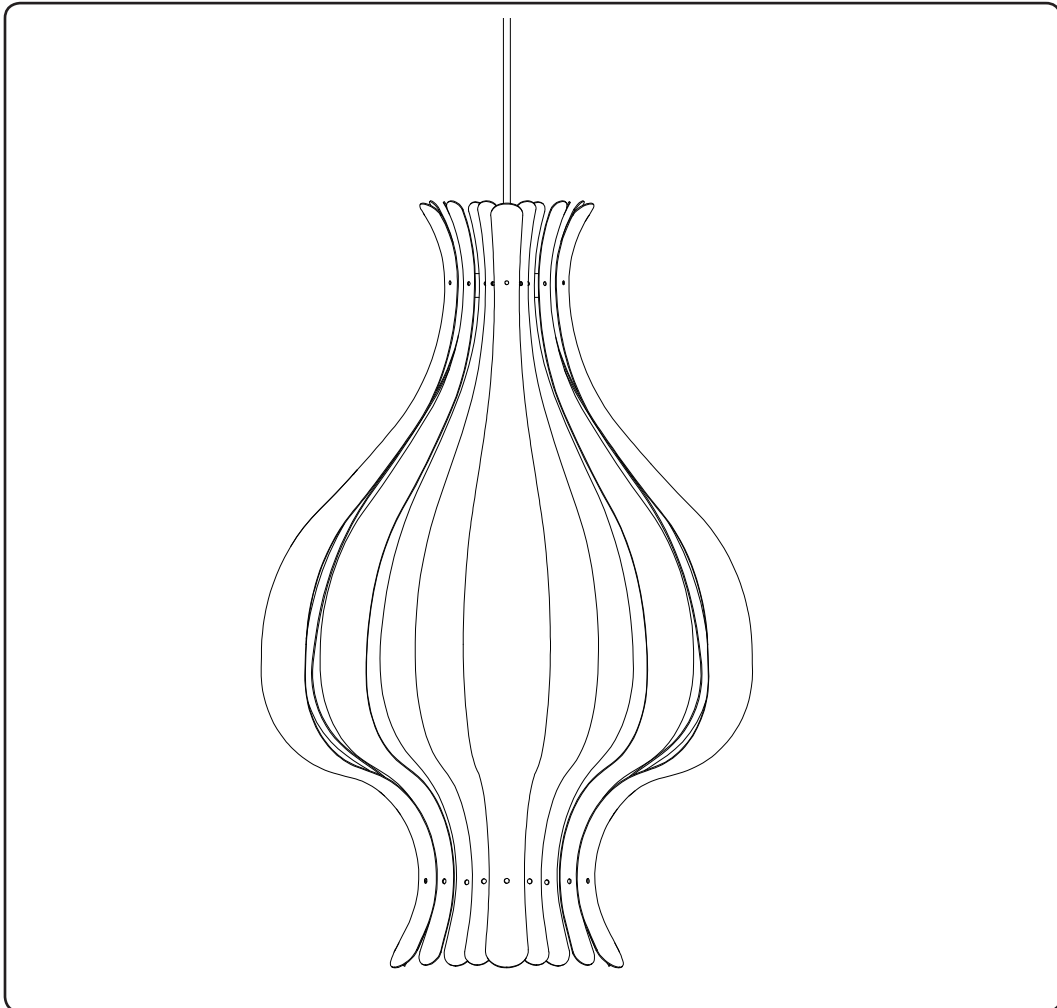
4



5



6



HOW TO CLEAN

Clean with a soft cloth, warm water and a mild detergent.
Do NOT use any abrasive materials.

DESIGNED
IN THE PAST
MADE FOR
TOMORROW

VERPAN ApS
Egeskovvej 29
8700 Horsens
Denmark

www.verpan.com

info@verpan.com