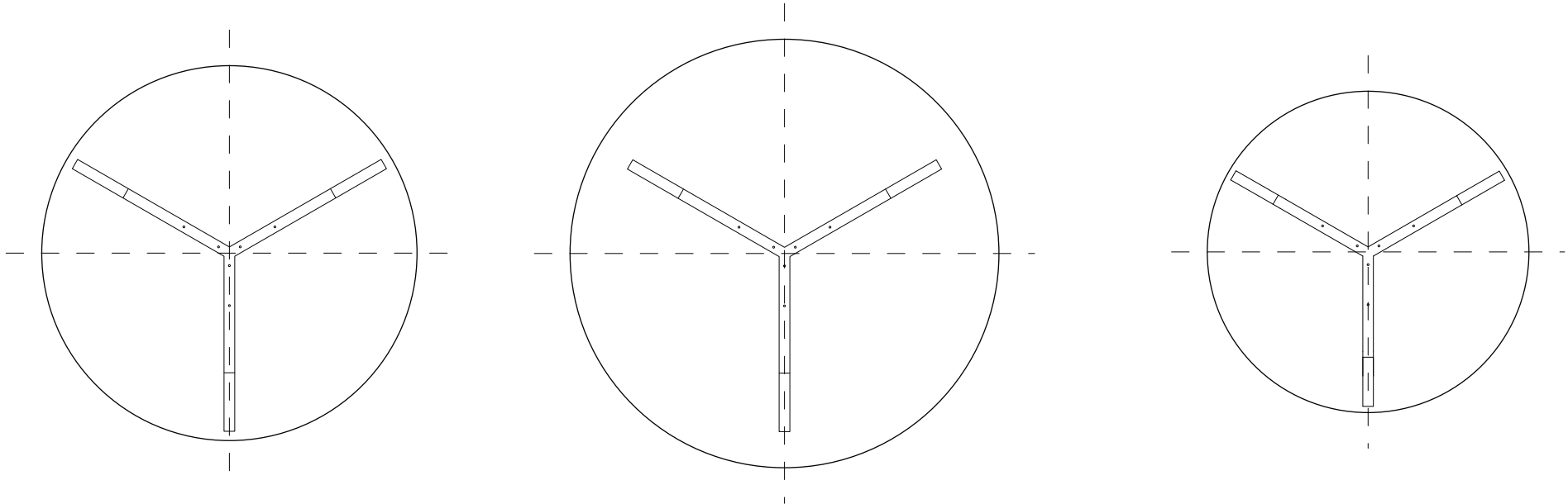
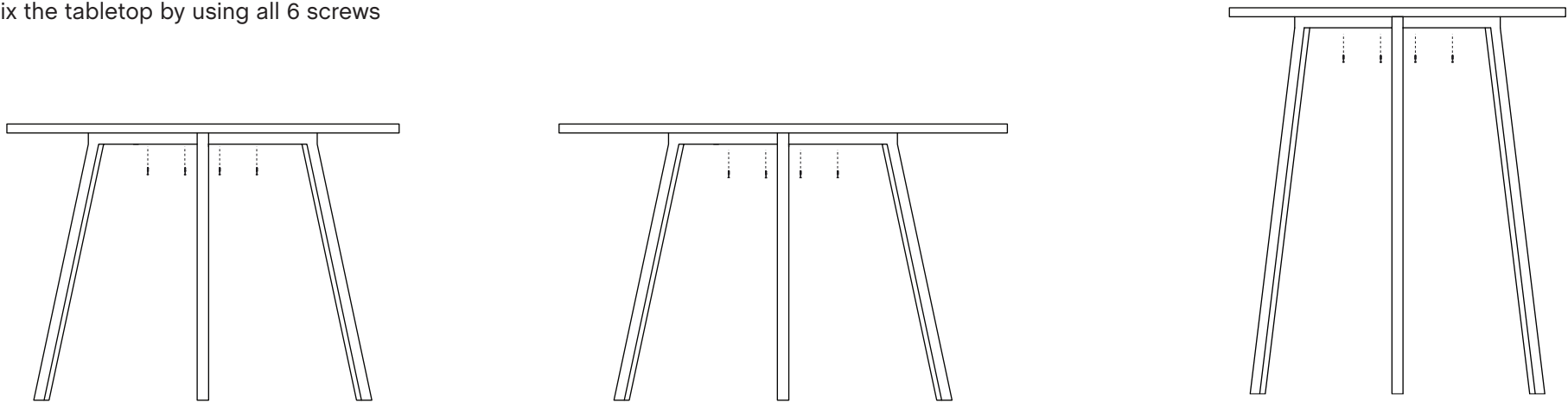


- 1 Place the frame in the tabletops center position



- 2 Fix the tabletop by using all 6 screws



Ø 105 x H 74cm

Ø 120 x H 74cm

Ø 90 x H 97cm