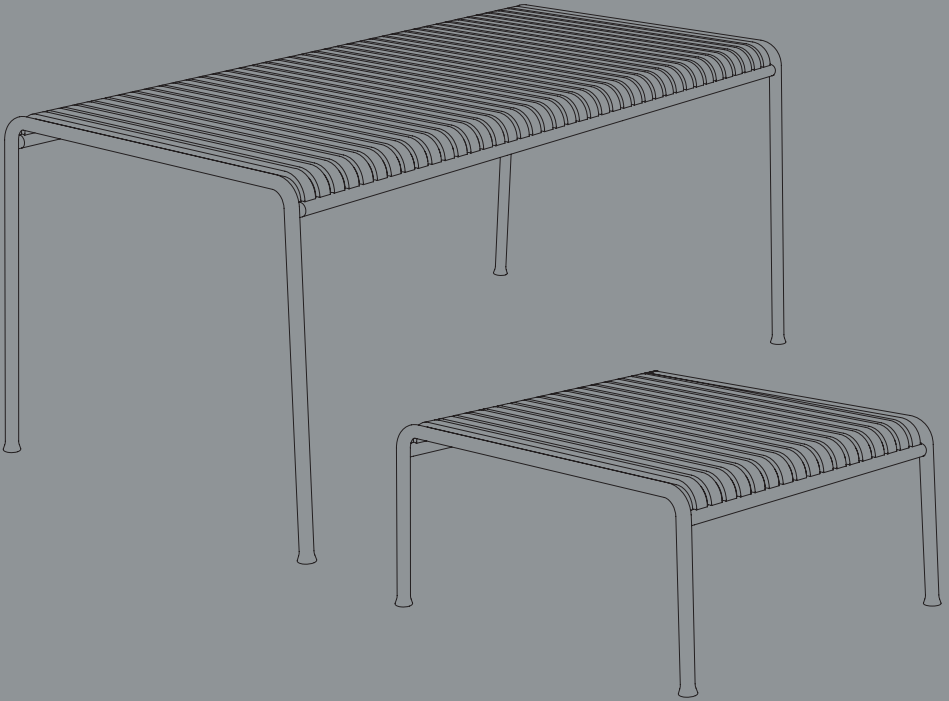


- INSTRUCTION MANUAL -

PALISSADE

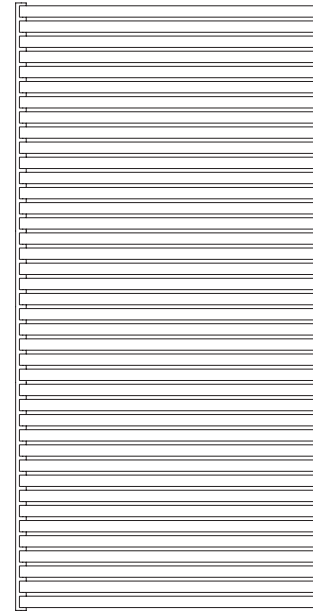
PALISSADE TABLE AND PALISSADE LOW TABLE



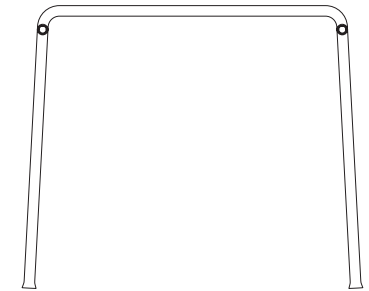
DESIGN BY RONAN & ERWAN BOURULLEC

HAY

- PARTS -



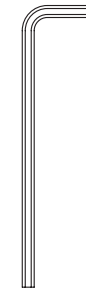
A Tabletop x1



B Legs x2



C Screw x8



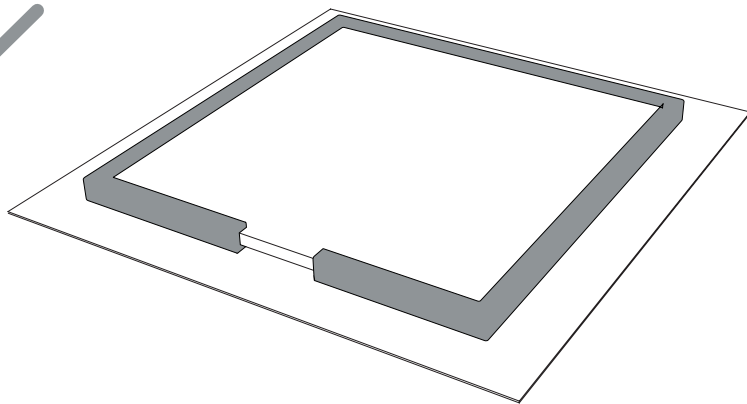
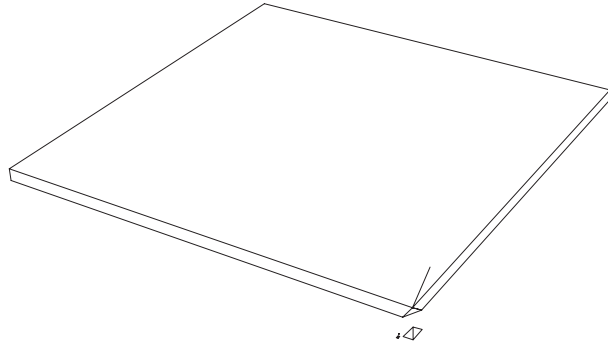
D Allen key x1



E Endcap x4
(Premounted)

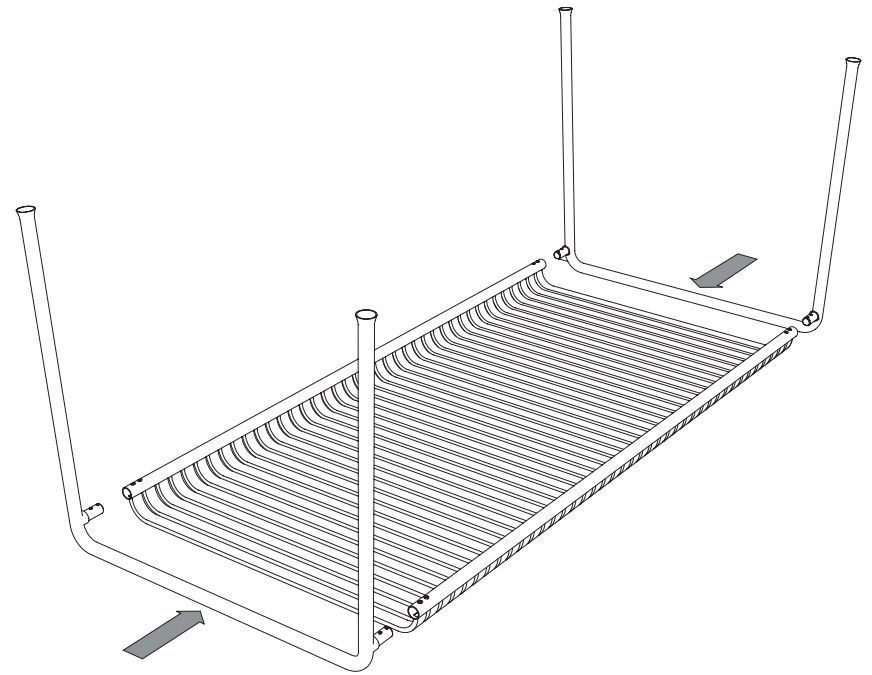
Illustrated in this manual is the Palissade Table in standard height.
The same assembly procedure applies to Palissade Low Table as well.

Protect the table top from scratches and other damage while assembling.



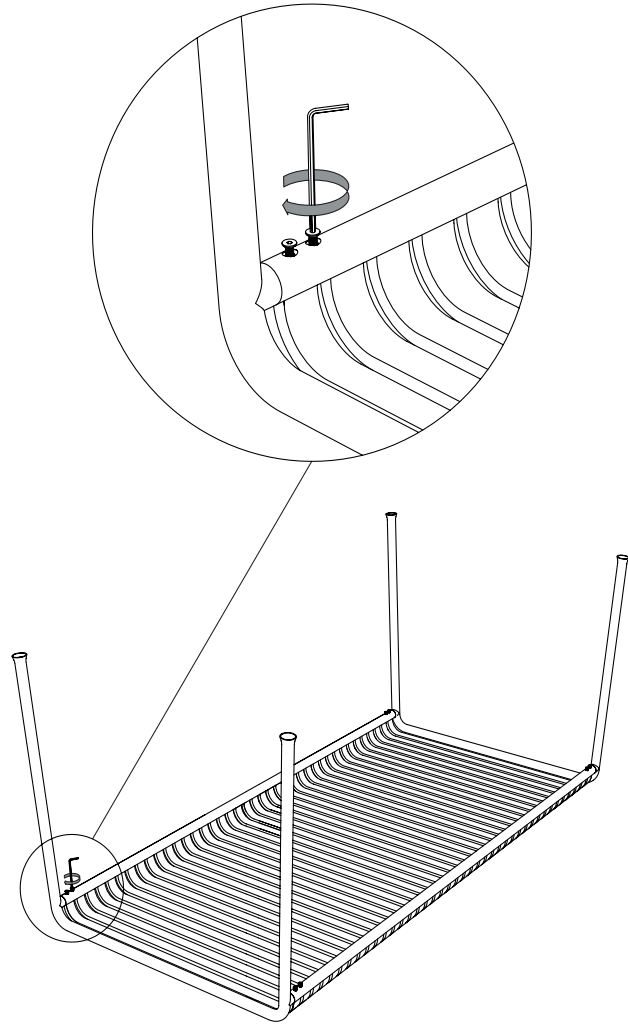
1.

Insert the leg profiles in each end of the tabletop frame.



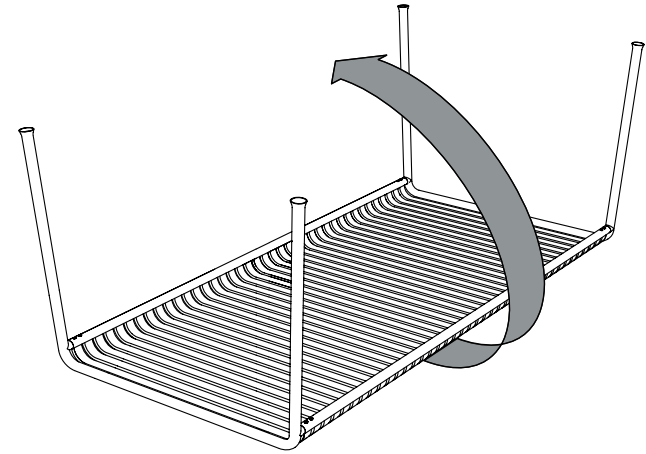
2.

Firmly secure the legs by fastening the screws **C** with the supplied Allen key **D**.



3.

Turn the table over (2 persons recommended).



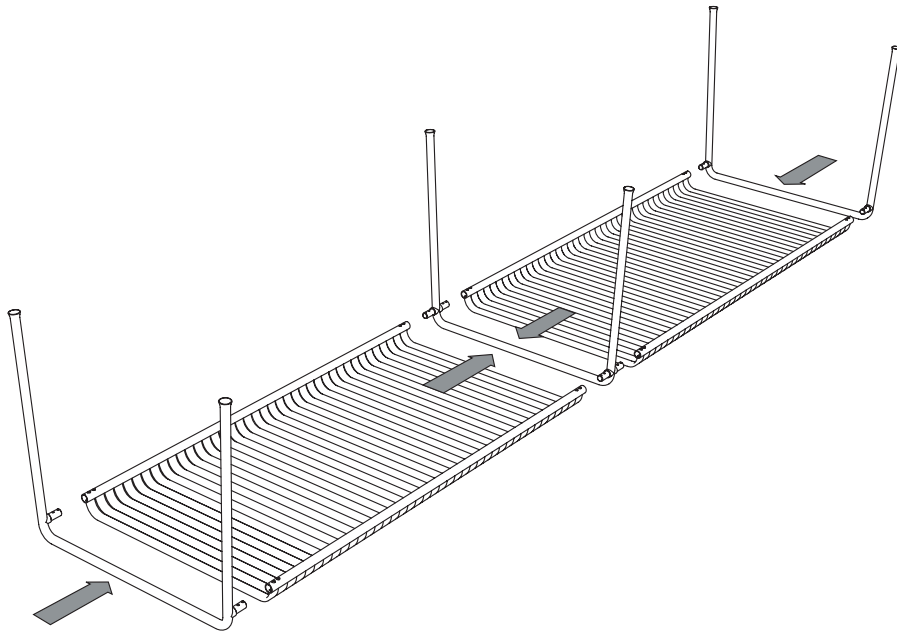
4.

Done!



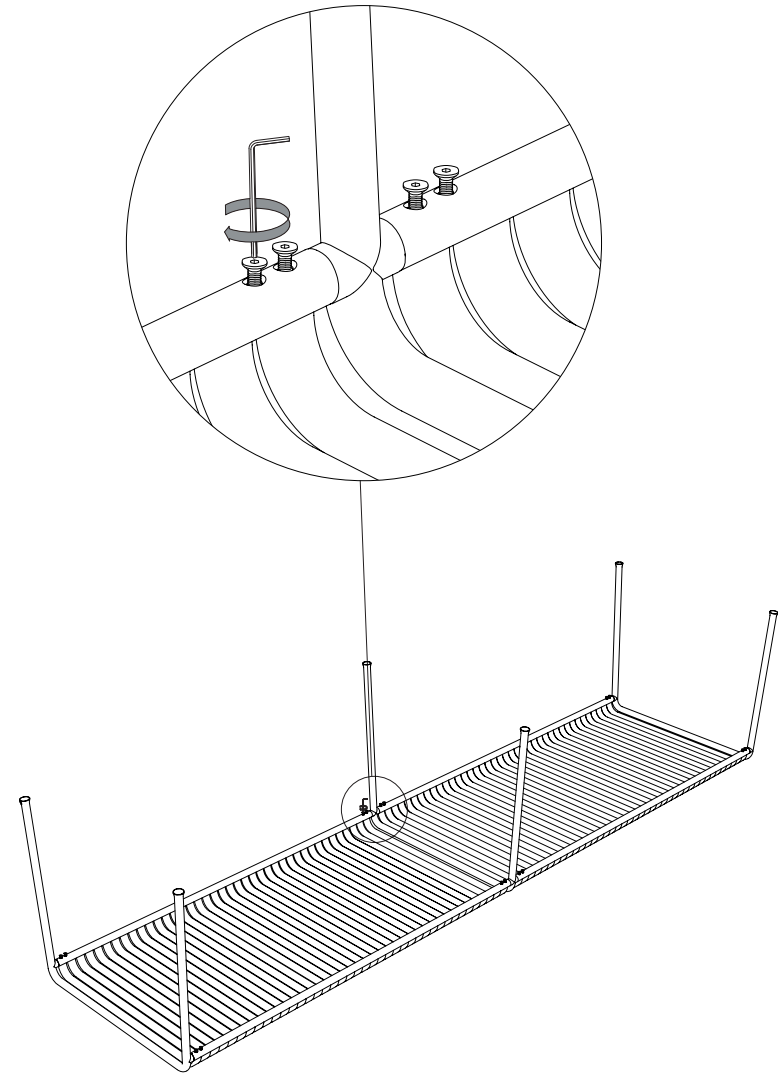
5.

Following instructions show how to connect two tables (or more).
Insert the middle leg profile in between the two tabletop frames.



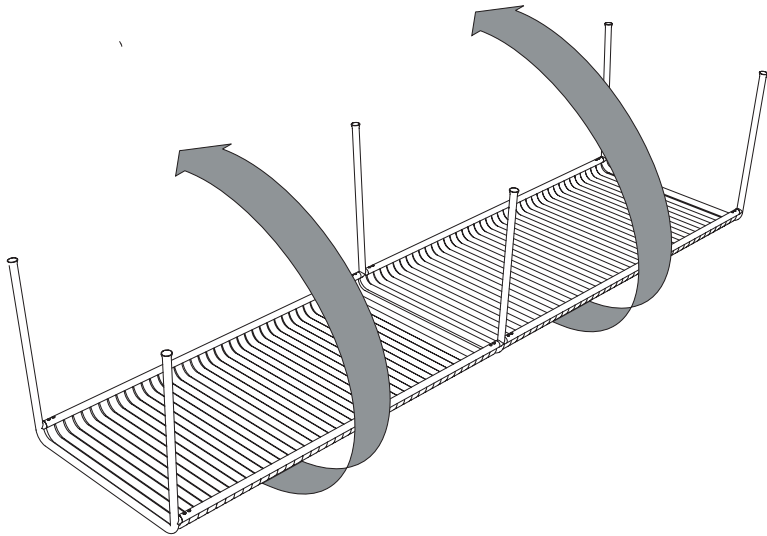
6.

Firmly secure the legs by fastening the screws **C** with the supplied Allen key **D**.



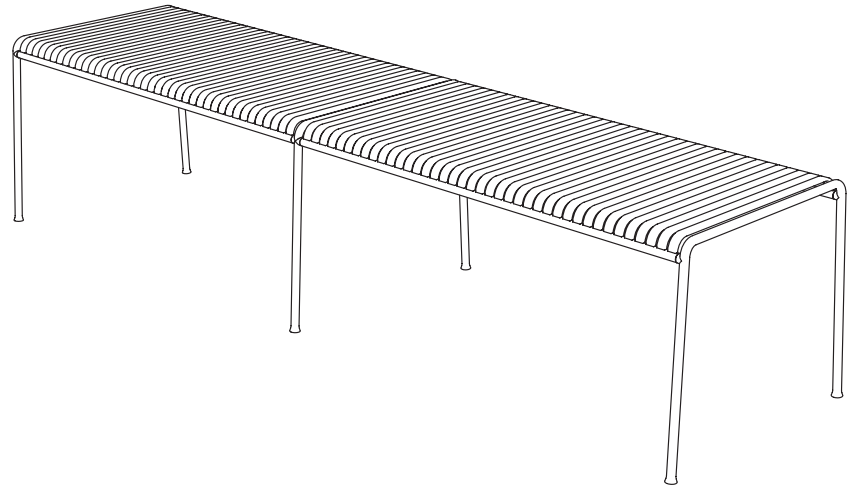
7.

Turn the table over (2-4 persons recommended).



8.

Done!



- CARE & MAINTENANCE -

Our Care & Maintenance offers guidance for optimal maintenance of your HAY product. It includes advice and instructions on cleaning and caring for specific materials to prolong the life of your furniture.



Please find our Care & Maintenance guide by scanning the QR code



You can find more relevant information on Palissade Table by scanning the QR code

You can also find the same information here
hay.dk/downloads



Havnen 1 8700 Horsens Denmark
+45 4282 0282 / hay@hay.com

25/05/2022

HAY