







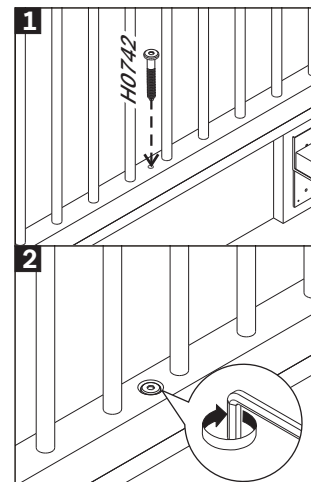
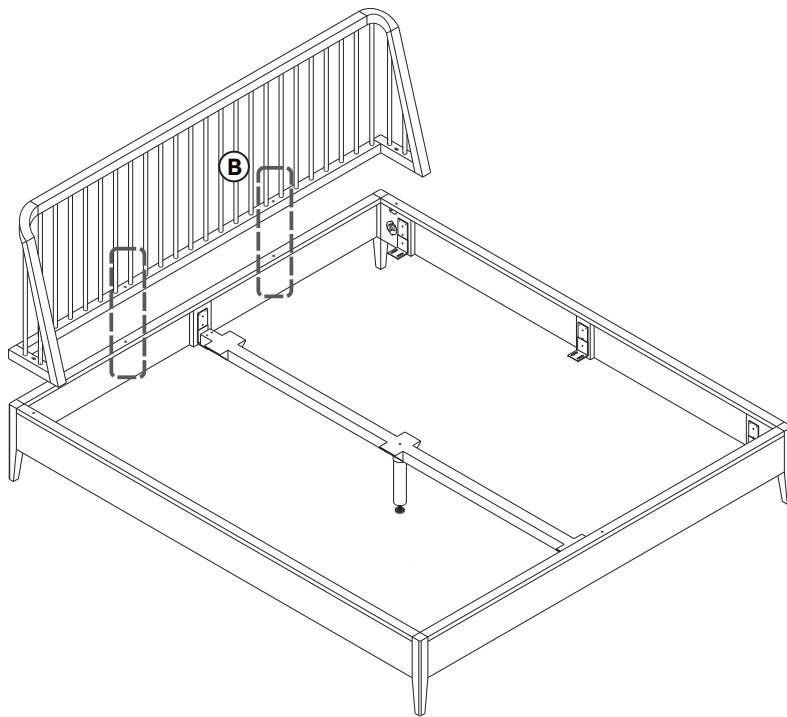




## SPINDLE BED - KING SIZE ASSEMBLY INSTRUCTIONS FOR BED INSTALLATION

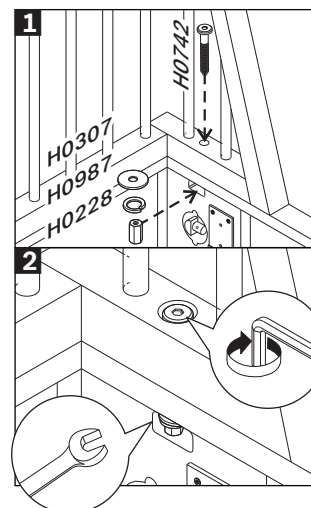
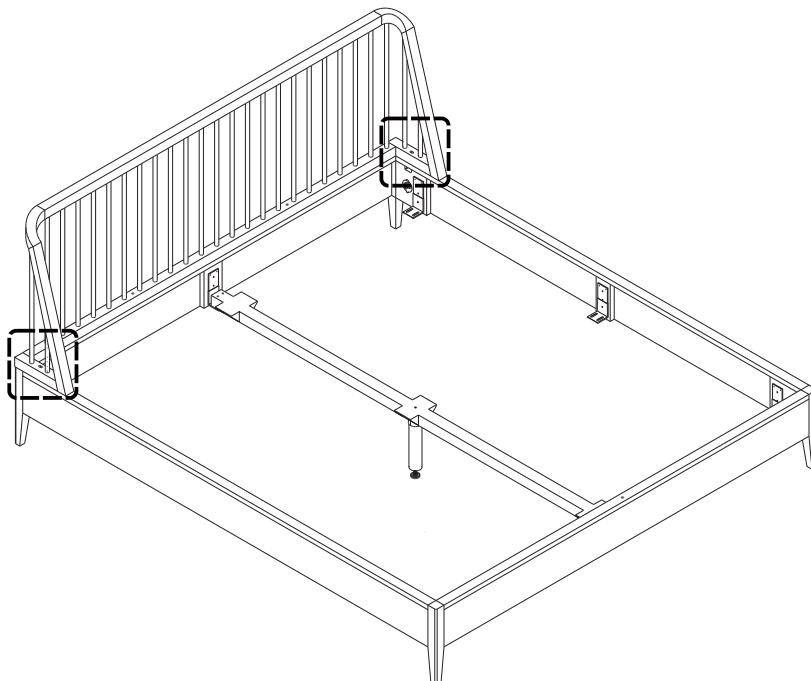
### E. INSTALLING BED HEAD

INSTALL SCREW ON THE MIDDLE SIDE FIRST



- USE JCBC SCREW M6x70 (2X)
- DO NOT FULLY TIGHTEN

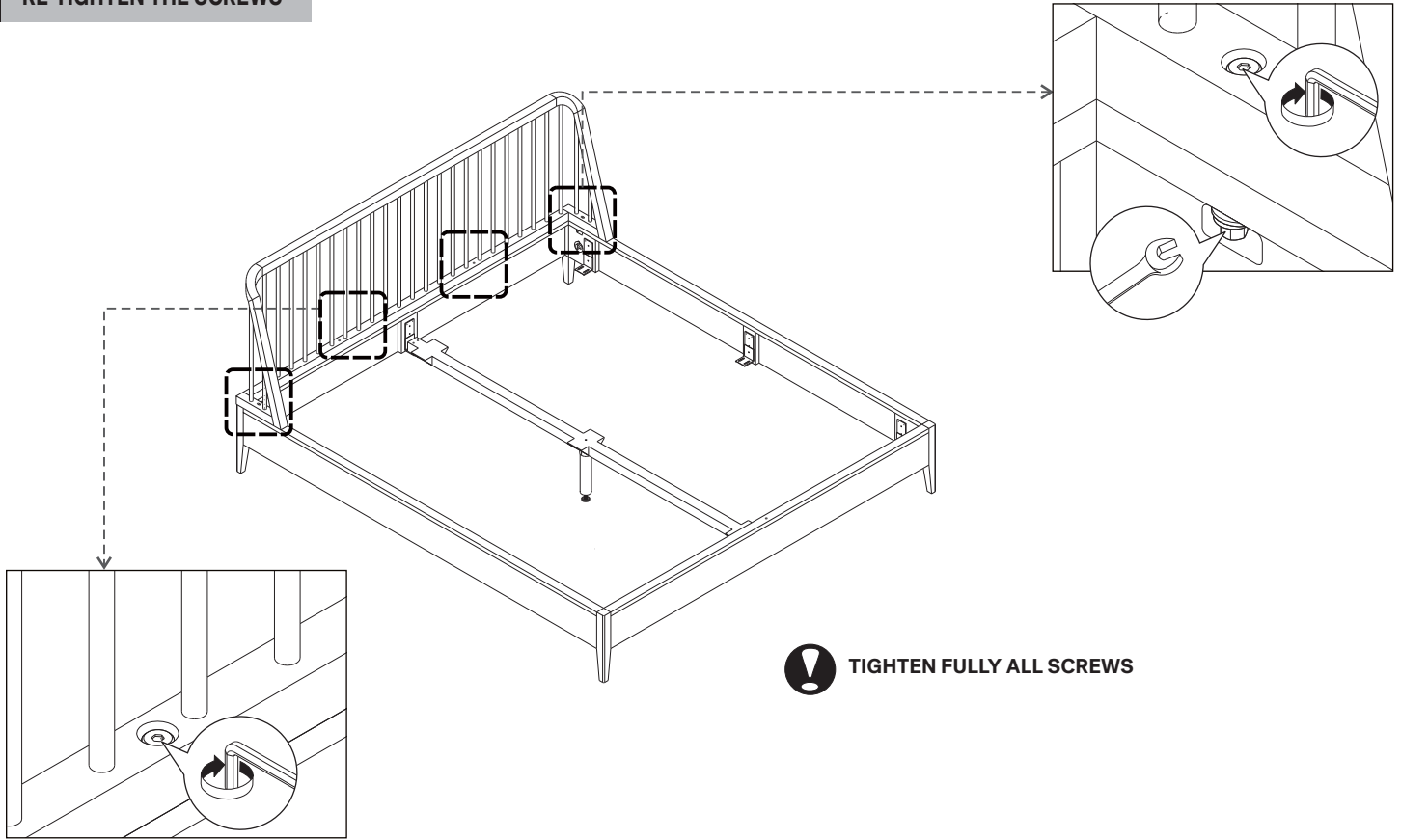
THEN INSTALL SCREW ON THE OTHER SIDE



- USE JCBC SCREW M6x70 (2X)
- USE WASHER M6x18 (2X)
- USE SPRING WASHER M6 (2X)
- USE LONG NUT M6 (2X)
- DO NOT FULLY TIGHTEN

## SPINDLE BED - KING SIZE ASSEMBLY INSTRUCTIONS FOR BED INSTALLATION

### F. RE-TIGHTEN THE SCREWS



### G. FINISH

