

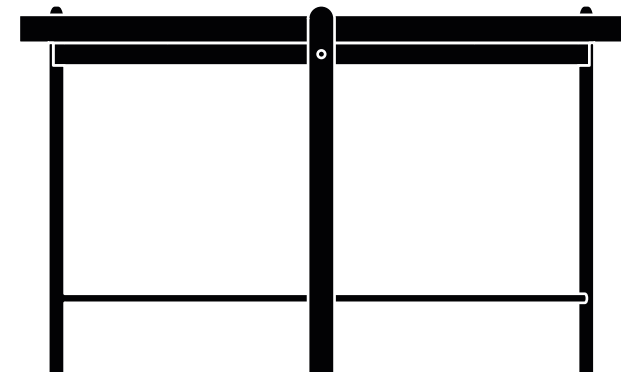
---

# Compose Table

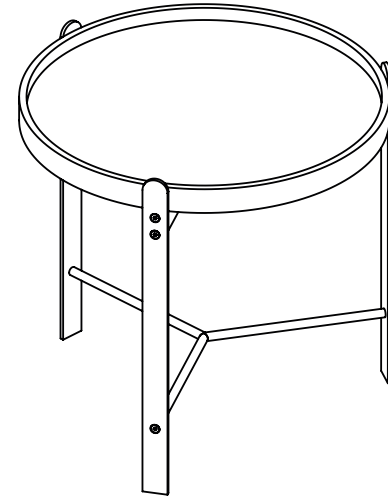
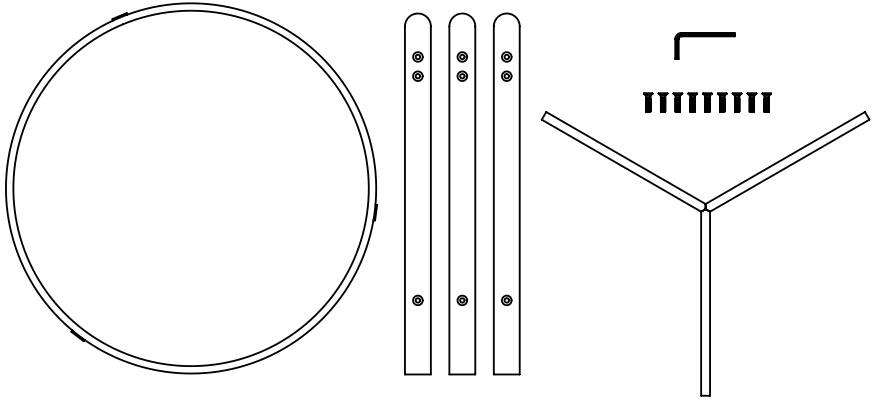
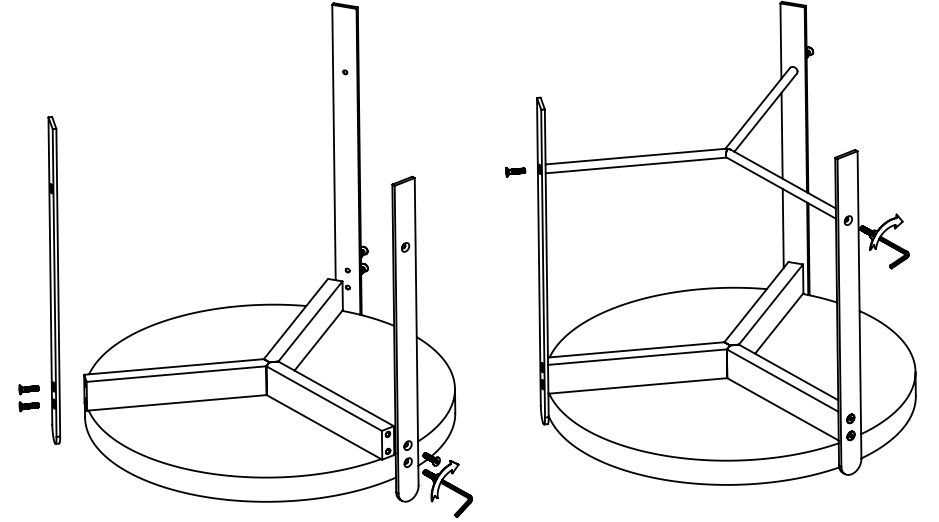
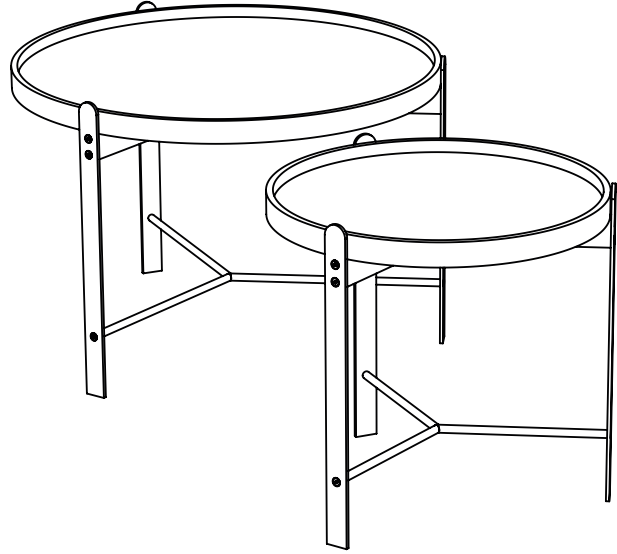
Designed by  
**Charlotte Høncke**  
2017

---

Assembly Instructions



For more information about care and maintenance go to  
[www.warmnordic.com](http://www.warmnordic.com)



1



---

## Care Instructions

Warm Nordic's furniture is high quality when it comes to design and functionality.

With correct maintenance, the furniture will remain in good condition for many years to come. We advise that you follow the accompanying guidelines to care for and clean the furniture. This ensures extended life time.

We have chosen materials which age beautifully, but please be aware that all materials undergo changes to their nature over time when exposed to light, dust and use.

### General advice

We recommend that all furniture is re-tightened after a few weeks' use and then as needed. Changes to humidity levels can cause the wood to expand and contract. For this reason, it can be necessary to re-tighten during winter, when wood typically contracts due to low humidity.

Avoid placing furniture close to solid fuel stoves and radiators, as the heat source may dry out the wood and cause the formation of cracks.

Avoid placing warm and damp or wet objects on the wood as this can cause blotches to form.

Avoid dragging things across the surface as this can cause scratches.

Wood is a natural material and for this reason may vary in colouration and structure. Please be aware that differences in colouration can occur when furniture is exposed to direct sunlight.

Do not stand or sit on the table.

### Oiled and smoked wood

Wood is a natural material and for this reason may vary in colouration and structure. Solid wood is also sensitive to changes in humidity levels and will contract in a dry climate and expand in a humid climate. For this reason the wood may shift and it may be necessary to re-tighten.

Oiled wood has a warm glow, which achieves a beautiful patina with regular maintenance.

Always remove stains and liquids immediately to avoid these penetrating the material and leaving marks.

Regular cleaning: To be wiped with a clean, lint-free cloth wrung out in warm water. Wipe with a dry cloth.

Do not use dish-soap or other detergents to clean and do not use abrasives such as scouring creams, steel wool or scouring sponges as these will cause scratches and drying out.

Maintenance: We recommend that the surface is treated at regular intervals with an oil specially designed for white oiled furniture. Before treatment is begun, all remaining dust must be removed with a wet cloth, following which the wood must be allowed to dry completely. The oil must always be applied with a clean, dry cloth and with the grain. Allow the oil to dry for approx. 2 hours, following which any excess oil must be removed. It may be necessary to repeat the treatment several consecutive times until the wood is saturated by oil. If the fibres of the wood rise after treatment, it should be sanded lightly with fine-grained sandpaper (grit 220). Never use steel wool! When treating table-tops, it is recommended that the treatment is carried out on both sides of the furniture requiring treatment in order to eliminate tightening variations.

Scratches: Small scratches can be bettered by sanding the wood with the grain with fine-grained sandpaper (grit 220).

Following this, the oil treatment described above must be repeated. Please note that the cloth may self-ignite and must therefore be disposed of or kept in an air-tight bag or container.

Guardian Wood Cleaner can be used beneficially before oil treatment in the case of difficult stains.

### Lacquered wood

Lacquered wood is generally strong and easy to maintain, but not resistant to scratches. The hardened surface of the wood is less susceptible to the effects of sunlight than other treatments.

Regular cleaning: To be wiped with a clean, lint-free cloth wrung out in warm water. Wipe with a dry cloth.

Always remove stains and liquids immediately to avoid these penetrating the material and leaving marks.

Do not use abrasives such as scouring creams, steel wool or scouring sponges as these will cause scratches. Lacquered surfaces do not tolerate denatured alcohol.

---