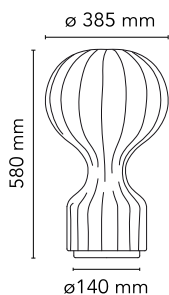


Gatto

■ F2601009 - White

Designed by Achille and Pier Giacomo Castiglioni

Table lamp providing diffused light. White powder coated internal steel structure sprayed with a unique "cocoon" resin to create the diffuser which is then protected by a transparent sprayed on finish. On the cable there is the electronic dimmer which allows the regulation of light brightness.

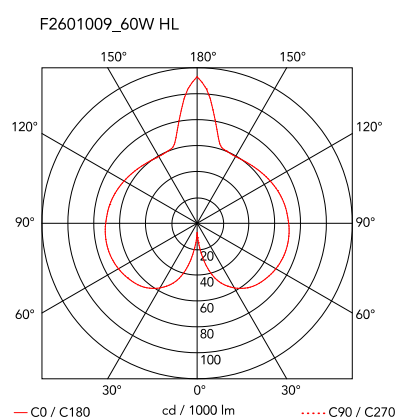


Main specifications

Mounting	Table	Iicos	HSGSA
Environment	Indoor dry location	Autoprotected Lamp	Yes
Light source type	Bulb	Number of heads	1
Lamp category	Halogen	Source Power (W)	60
Lamp holder	E27		

Optical

Lighting Type	Total
Lighting distribution	Symmetric
Cold Beam Lighting	No
Extreme Cut off	No



Electrical

Insulation class	II	Plug Type	Type C
Frequency (Hz)	50/60	Charging Min Time	No
Main Voltage (Vac)	220-240		
Batteries Inside	No		
Cord length (mm)	1800		

Physical

Colour	White
Net weight (kg)	1.7
Gross weight (kg)	3.75
IP	20
IP external	20

