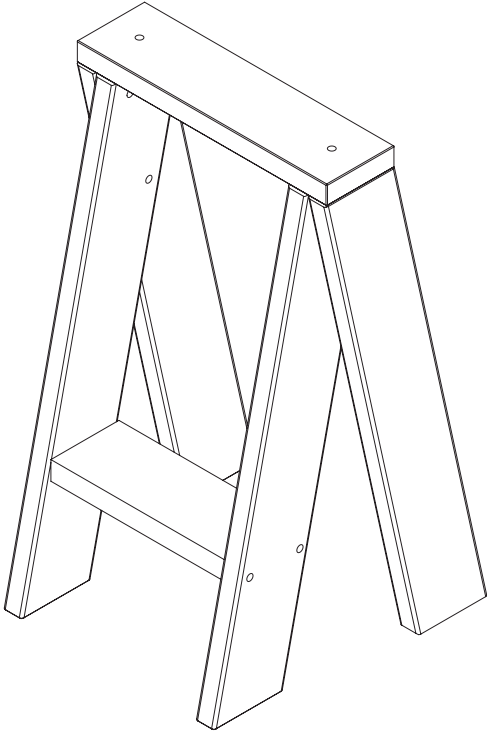


**Ishinomaki AA Stool H56**  
*by Torafu Architects*



Congratulations on your AA Stool H56 designed by Torafu Architects.

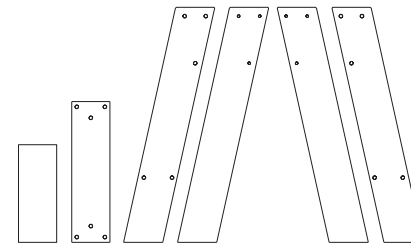
We hope you will enjoy using this item and follow these instructions to ensure correct assembly. These instructions are provided for your safety. It is important that the instructions are read carefully and completely before mounting.

---

## COMPONENT OVERVIEW

---

1 pc



6 x Wooden Components



6 x Ø7x60  
Confirmat  
Screw



6 x Ø7x40  
Confirmat  
Screw



4 x Dowels



2 x Cardboard Patch

---

## TOOLS INCLUDED

---



---

## IMPORTANT INFORMATION

---

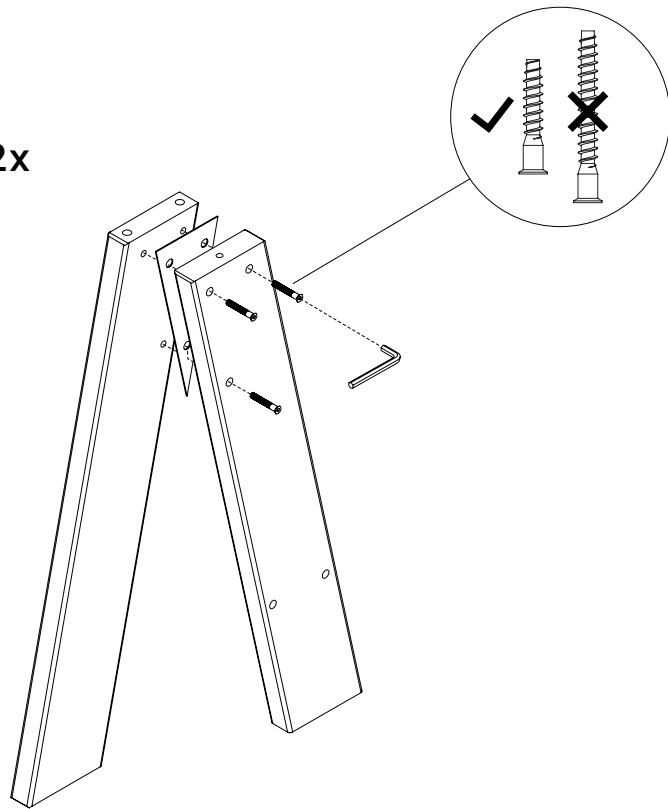
### CAUTION

Please do not stand on the stool as it might tip over. The stool is solely intended for sitting.

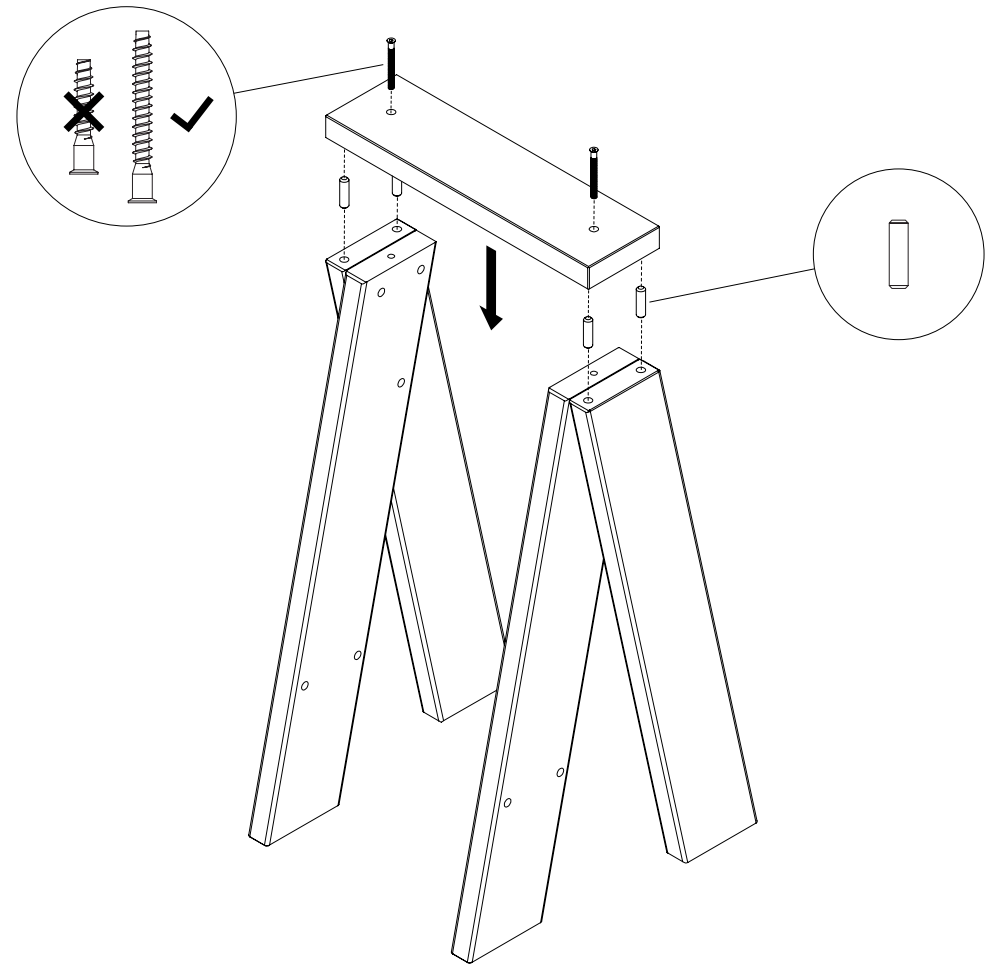


1

2x



2



3

