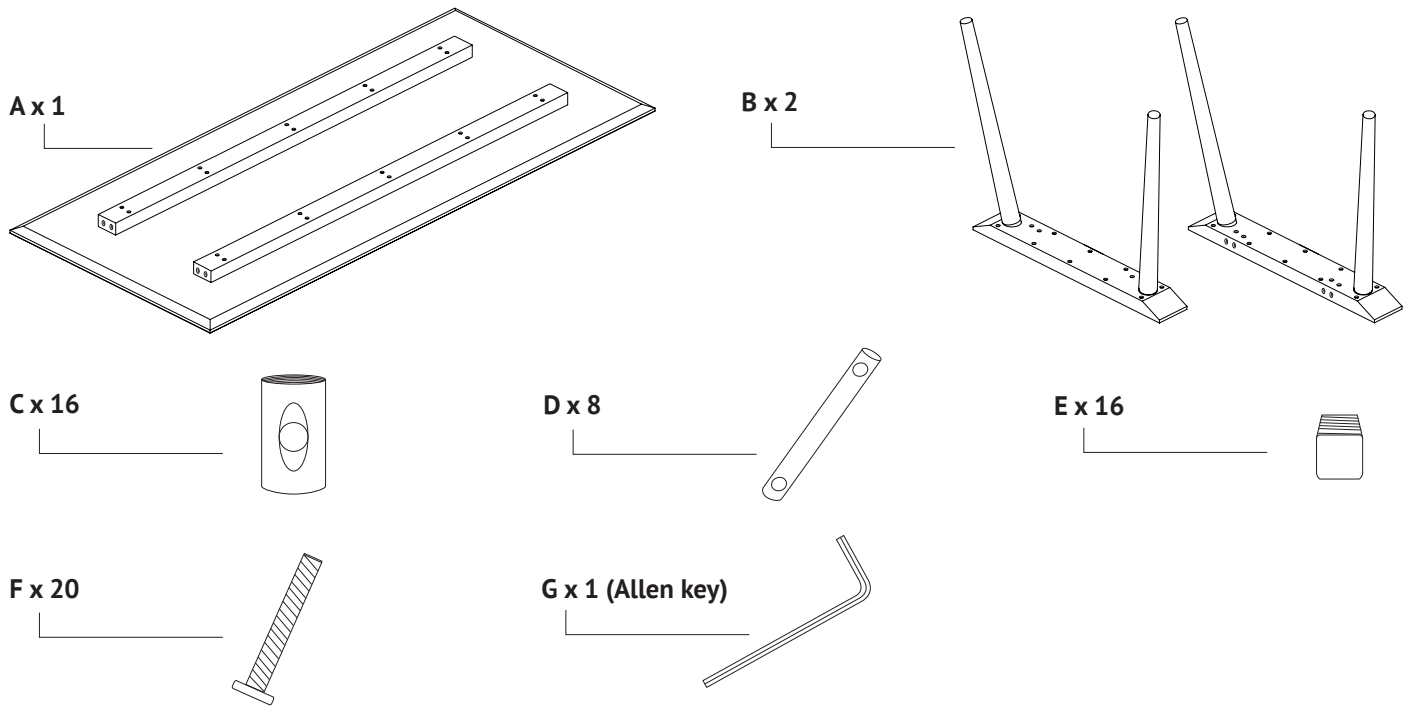




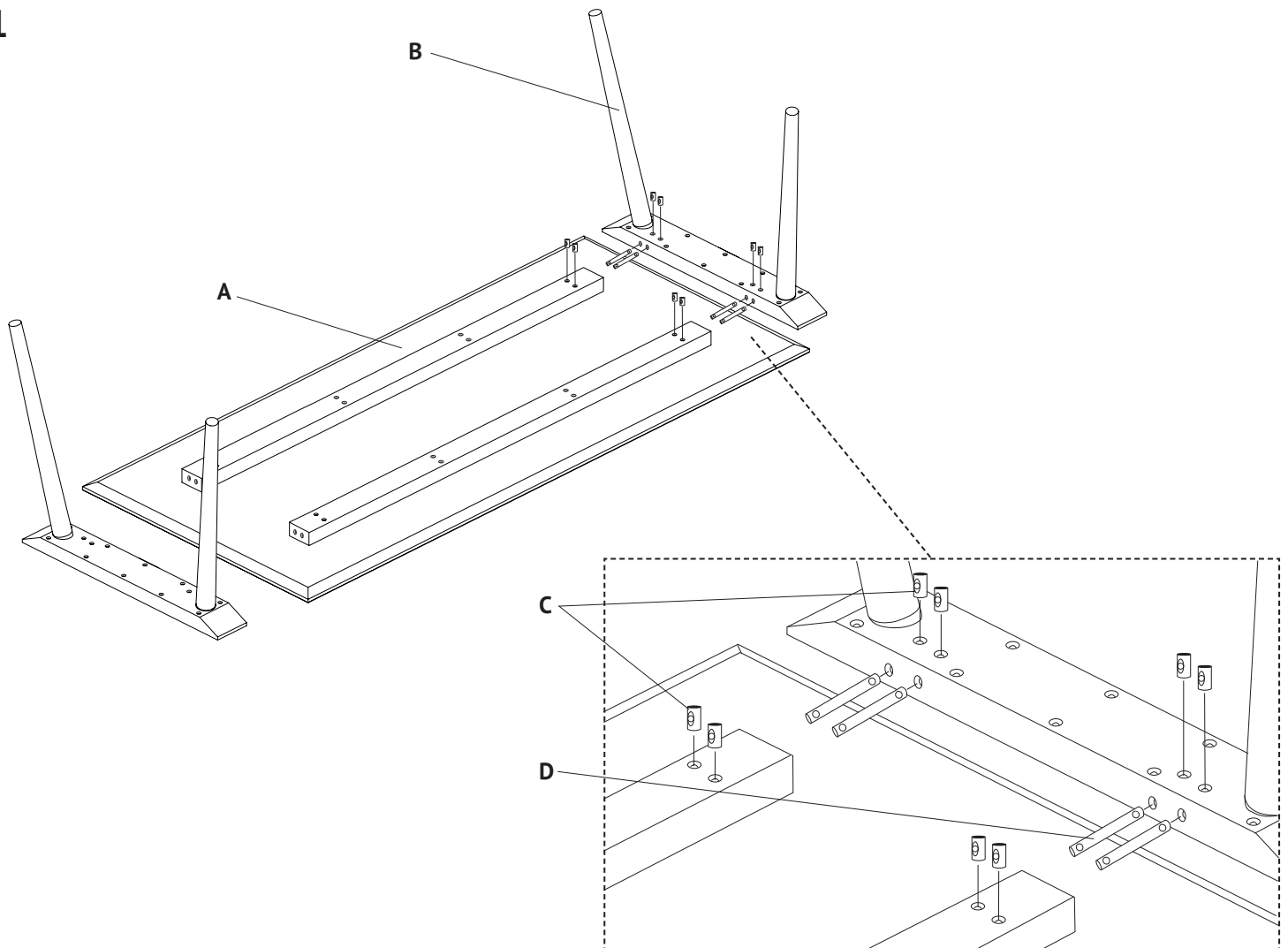
# IN BETWEEN TABLE

USER INSTRUCTIONS

# IN BETWEEN TABLE

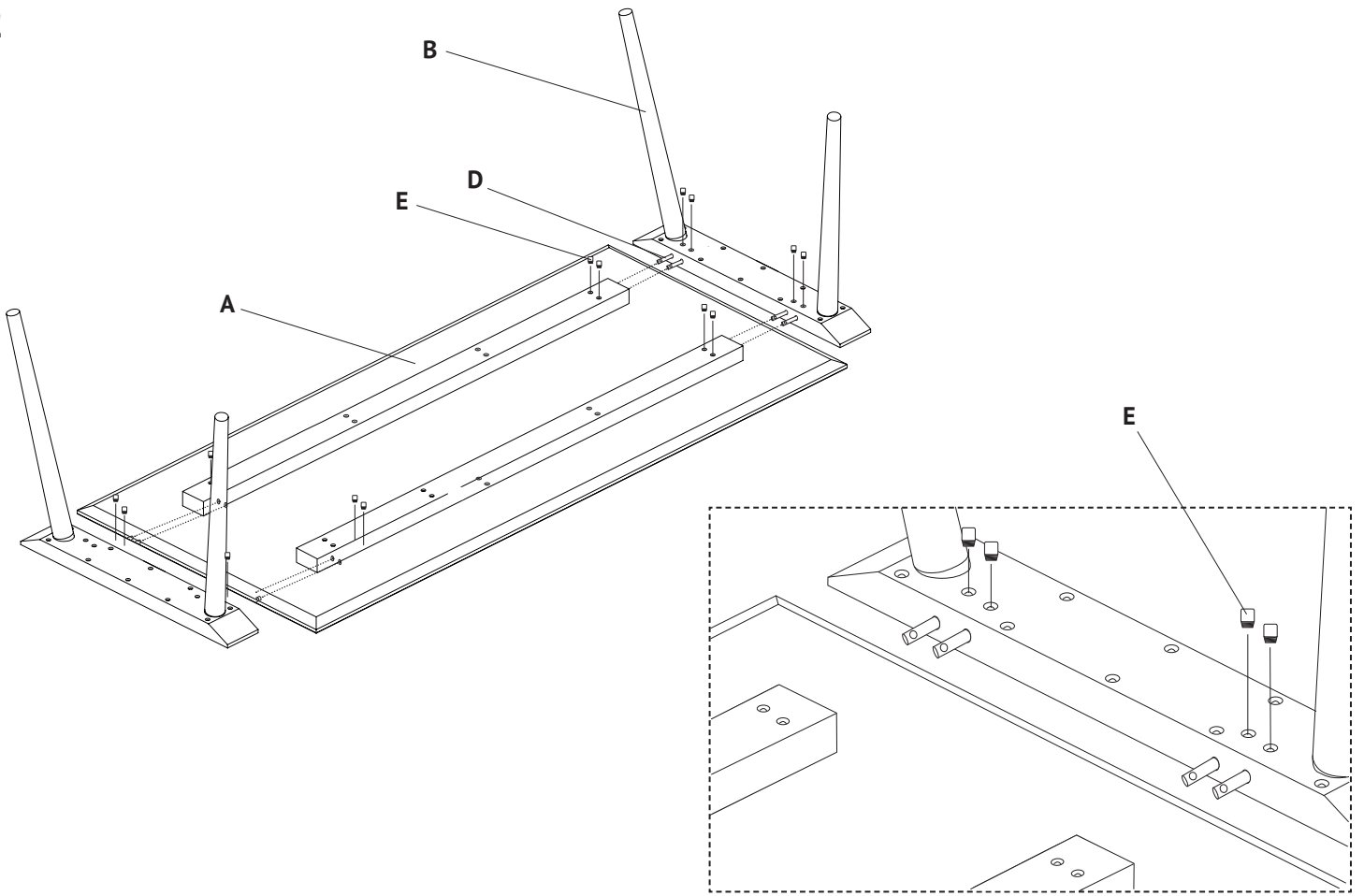


1



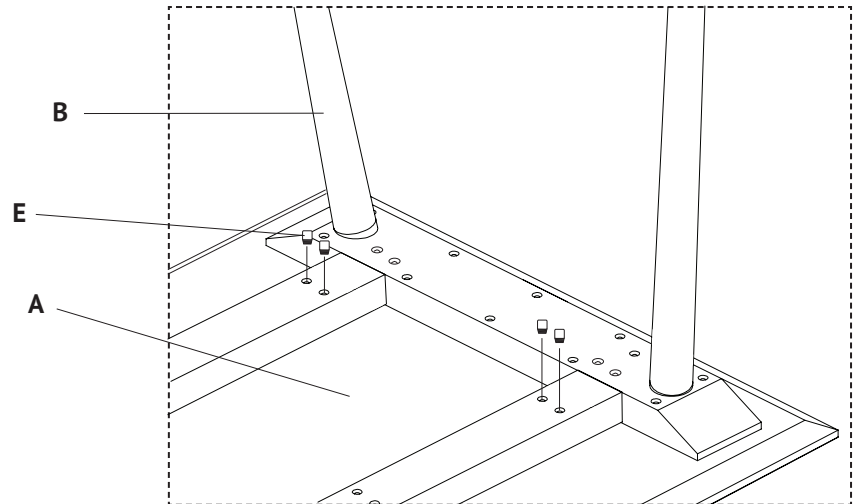
First insert **C** into the eight holes shown above. Then insert **D** into corresponding holes. Repeat on opposite side of the table.

2



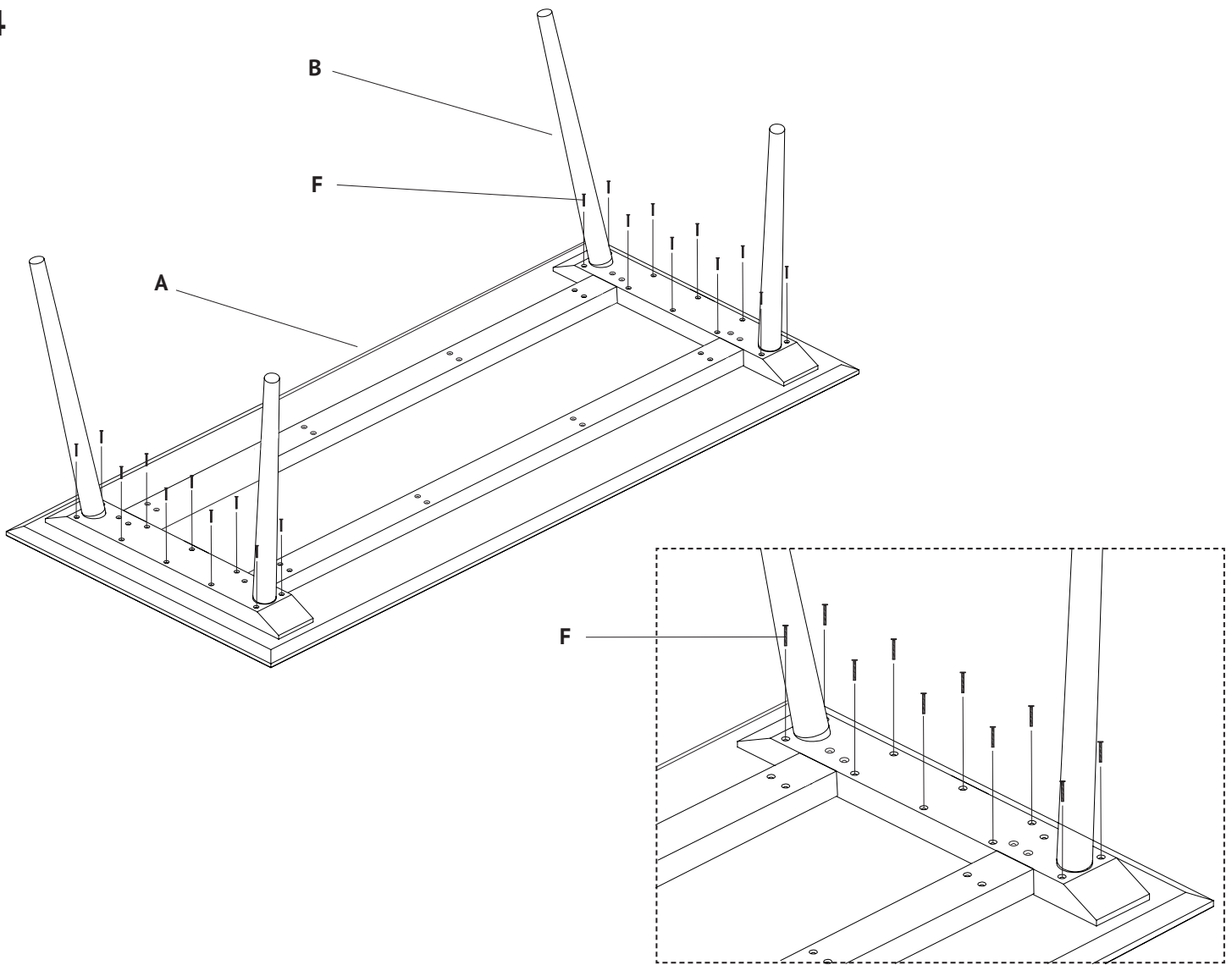
Using **E** slightly tighten so that all parts are held in position, but are not totally fixed.

3



Slot **B** into **A** and fix into position using **E** as shown above.

4



Securely tighten the table top and legs together using parts **F** and **G (Allen key)**. Repeat on opposite side.

Finally tighten **E** from steps 2 and 3.

Table is ready for use.