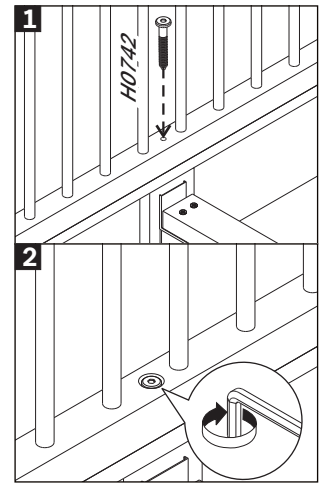
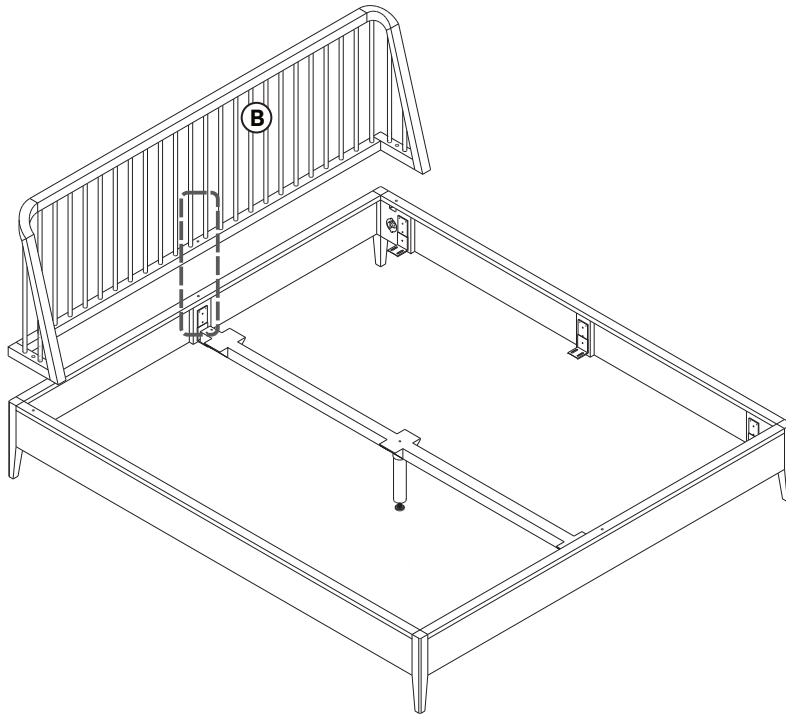


SPINDLE BED - QUEEN SIZE
ASSEMBLY INSTRUCTIONS FOR BED INSTALLATION

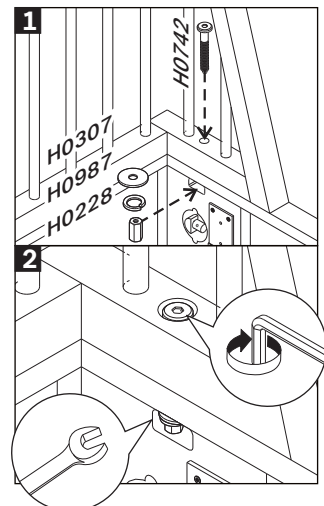
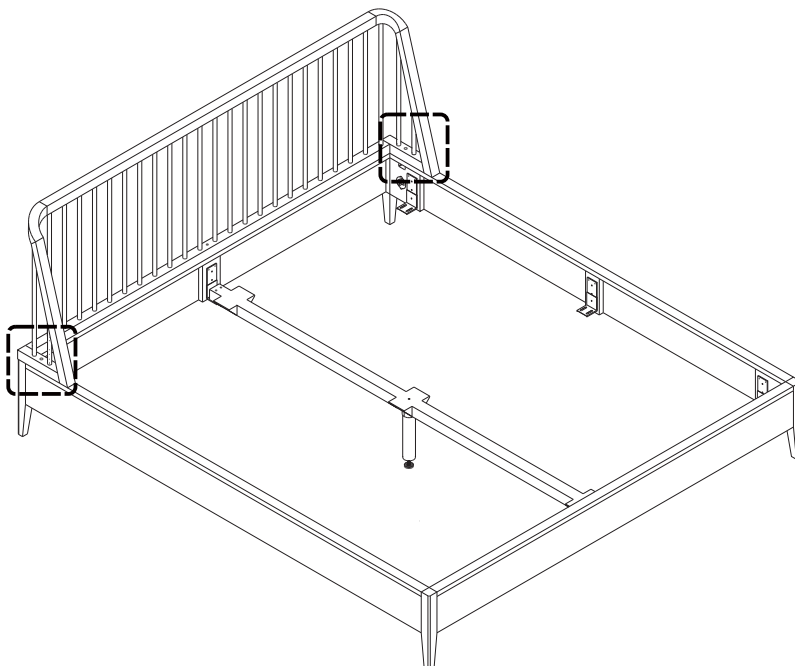
E. INSTALLING BED HEAD


INSTALL SCREW ON THE MIDDLE SIDE FIRST



-  - USE JCBC SCREW M6x70 (1X)
- DO NOT FULLY TIGHTEN

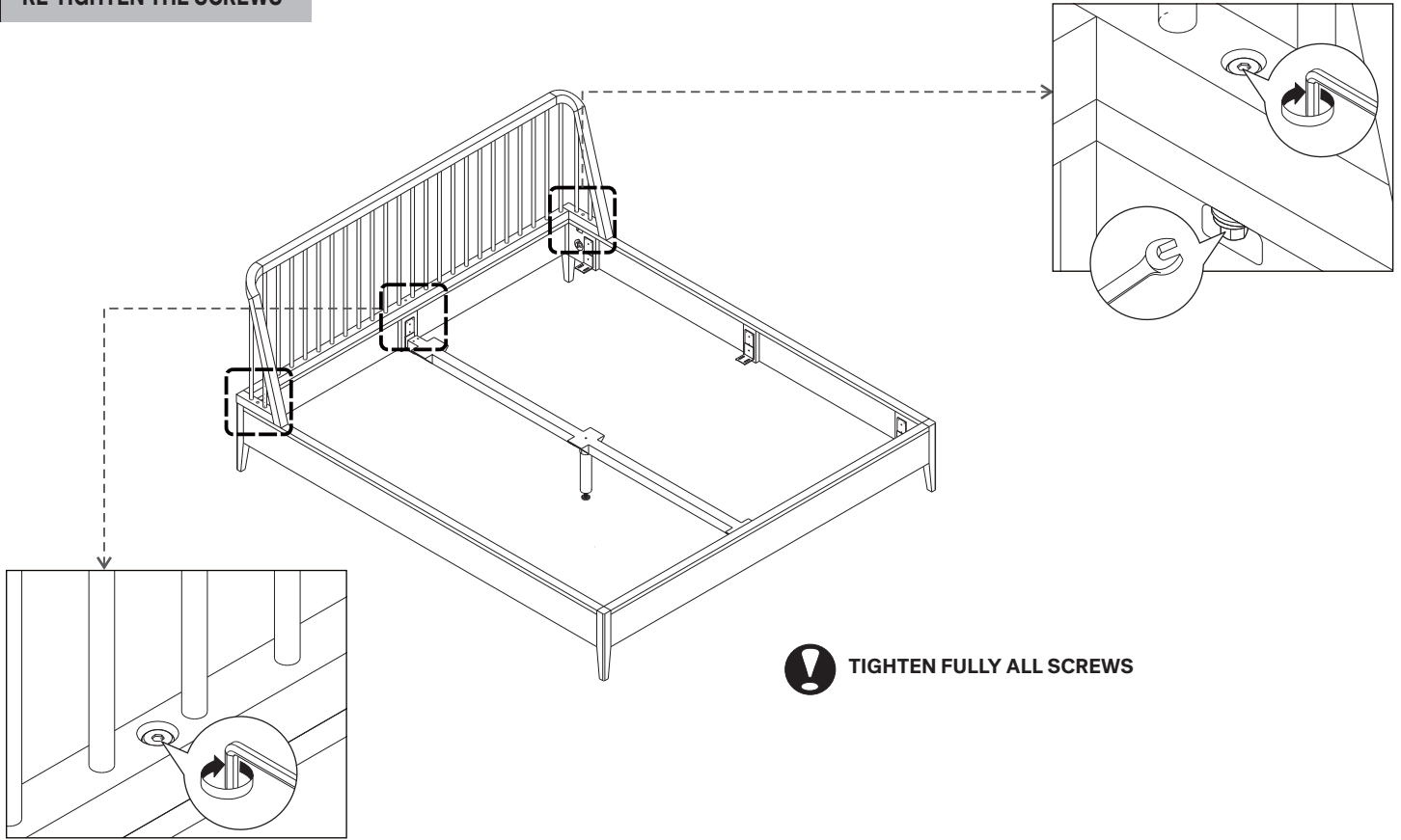
THEN INSTALL SCREW ON THE OTHER SIDE



-  - USE JCBC SCREW M6x70 (2X)
- USE WASHER M6x18 (2X)
- USE SPRING WASHER M6 (2X)
- USE LONG NUT M6 (2X)
- DO NOT FULLY TIGHTEN

SPINDLE BED - QUEEN SIZE ASSEMBLY INSTRUCTIONS FOR BED INSTALLATION

F. RE-TIGHTEN THE SCREWS



G. FINISH

