



CARE INSTRUCTIONS

FRAME/GLASS

For dusting and light cleaning use a soft, dry cloth. For further cleaning, use a soft cloth that is firmly wrung in clean water for gently wiping the surface, and then immediately use a dry cloth to wipe the surface again. If more thorough cleaning is necessary, use a mild liquid soap dissolved in water on a firmly wrung cloth to wipe the frame. Afterwards, repeat the process with clean water as described above

MARBLE

For marble maintenance, see the included marble instruction sheet.



For enquiries contact GUBI A/S - CVR: 17940384
Klubienvej 7-9. 2150 Nordhavn. Copenhagen, Denmark

T +45 69 15 60 60 – order@gubi.dk

GUBI.COM

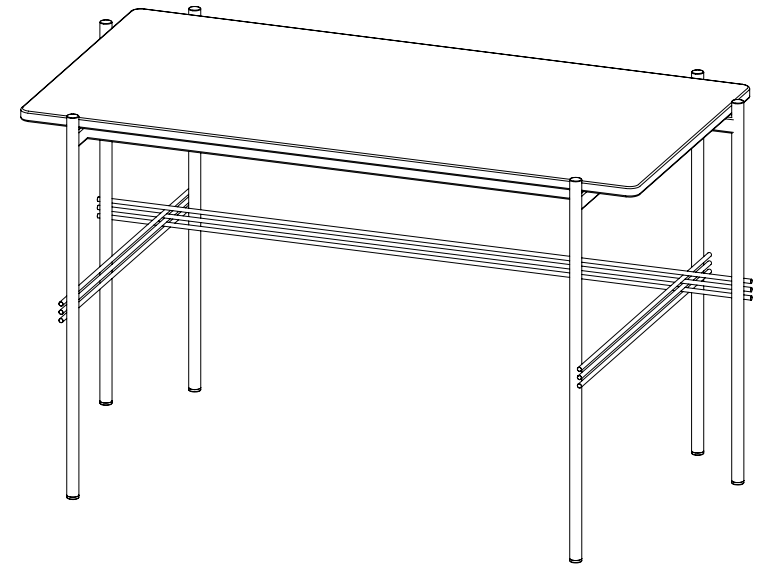
04-20-010-01 Mounting Instructions TS Desk.

GUBI

ASSEMBLY INSTRUCTIONS

for

TS DESK



CONTENTS

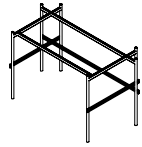
TS DESK



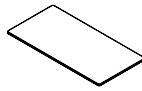
x4
(glass top only)



x8
(marble top only)



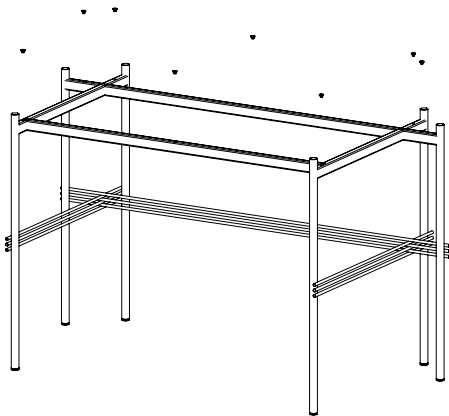
x1



x1

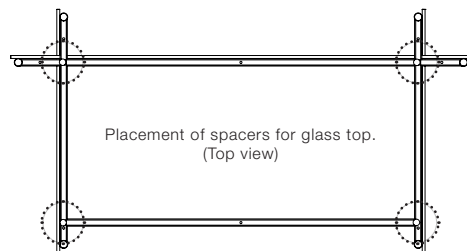
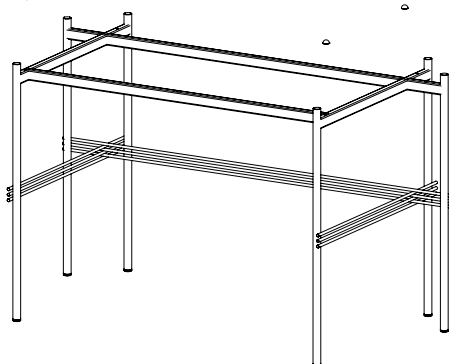
1. Marble Top

Place 8 rubber spacers into holes in table frame as shown.

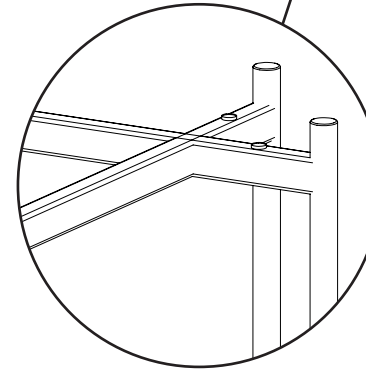
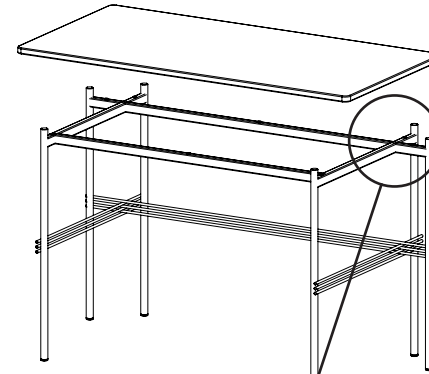


1. Glass Top

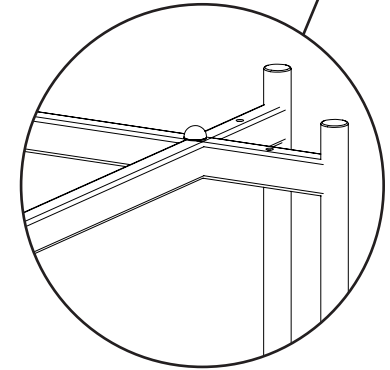
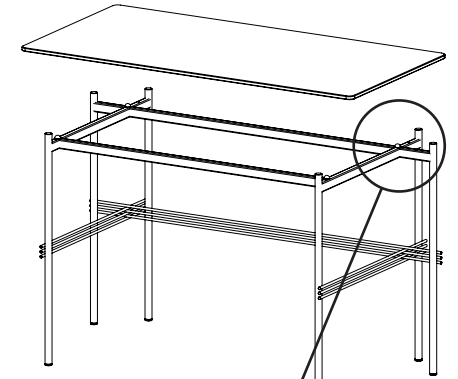
Peel off backing paper and place 4 spacers on frame intersections as shown.



2. Marble Top



2. Glass Top



3.

Finished table.

