

Instructions

Trolley for charging tray 2020



Congratulations with your new Trolley. We hope you will enjoy using this product and follow these instructions to ensure correct installation. If you have any questions or comments, please do not hesitate to contact us by mail on: info@andtradition.com

&Tradition®

Trolley for charging tray 2020

Please read these instructions carefully and retain them for future reference to ensure that the product is used correctly. For your own safety, please study each step of this instruction manual first. &Tradition is not responsible for any faults or damages caused by not following these instructions correctly. Do not modify this product in any way.

Contents

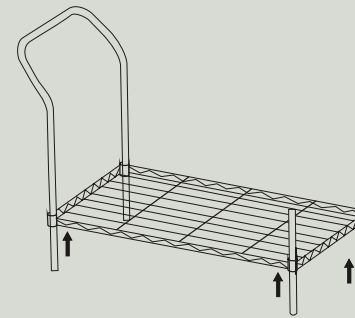
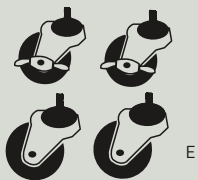
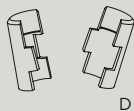
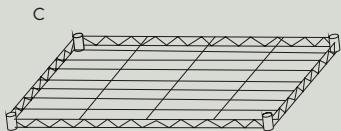
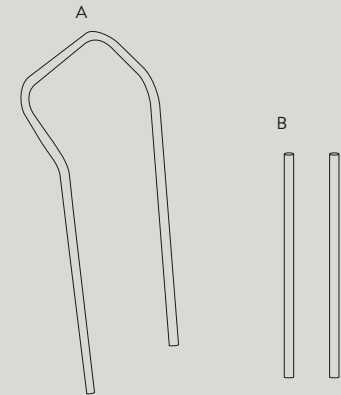
- A Handle
- B 4 x Legs
- C 3 x wire shelves
- D 12 x plastic clips
- E 4 x wheels (2 x wheels, 2 x wheel with lock)

Safety precautions

- Dispose of plastic bag from packaging and do not allow children to play with it.
- Keep product well out of children's reach.
- The trolley is only intended for interior use.

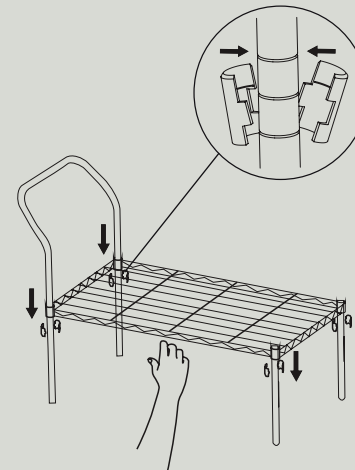
Cleaning instructions

- Wipe the surface with a soft, damp sponge or cloth, and finish with a dry cloth.
- Do not use any abrasive cleaning tools such as steel wool, scouring sponges or stiff brushes.



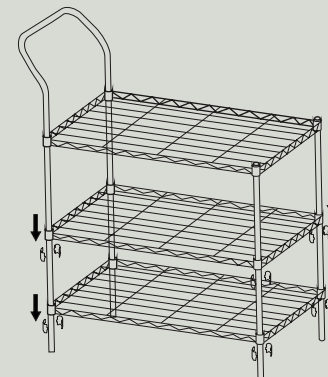
Step 1

Slide the wire shelf from the bottom of all four legs and upwards. The shelf should be mounted by turning the leveled side upwards and the walls downwards.



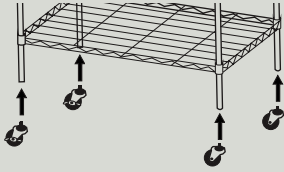
Step 2

While holding the wire shelf, place one plastic clip on the leg on top of the grooves to avoid it from sliding down. Be aware that the clip is mounted with the engraved arrow pointing upwards.



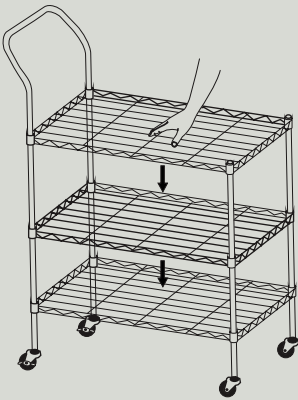
Step 3

Repeat step 2 and 3 to assemble the remaining wire shelves to the trolley.



Step 4

Attach the wheels onto the legs.



Step 5

Finally, on every wire shelf firmly push down on each corner to secure they are in place on the plastic clips.