

## Care Instructions

Warm Nordic's furniture is high quality when it comes to design and functionality.

With correct maintenance, the furniture will remain in good condition for many years to come. We advise that you follow the accompanying guidelines to care for and clean the furniture. This ensures extended life time.

### General advice

We recommend that all furniture is re-tightened after a few weeks' use and then as needed.

Avoid dragging things across the surface as this can cause scratches.

Do not stand or sit on the table.

### Lacquered steel

Regular cleaning: To be wiped with a clean, lint-free cloth wrung out in warm water. Add a neutral detergent if necessary. Wipe with a dry cloth. Always remove stains and liquids immediately to avoid these penetrating the material and leaving marks.

Do not use alcohol or any other solvents.

Do not use abrasives such as scouring creams, steel wool or scouring sponges as these will cause scratches.

Note! Lacquered steel can withstand almost anything, but moisture can cause discolouration and oxidising may occur.

### Glass

Regular cleaning: To be wiped with a clean, lint-free cloth wrung out in warm water. Add a neutral detergent if necessary. Wipe with a dry cloth. For more in-depth cleaning of decorative objects household ammonia can be used at regular intervals.

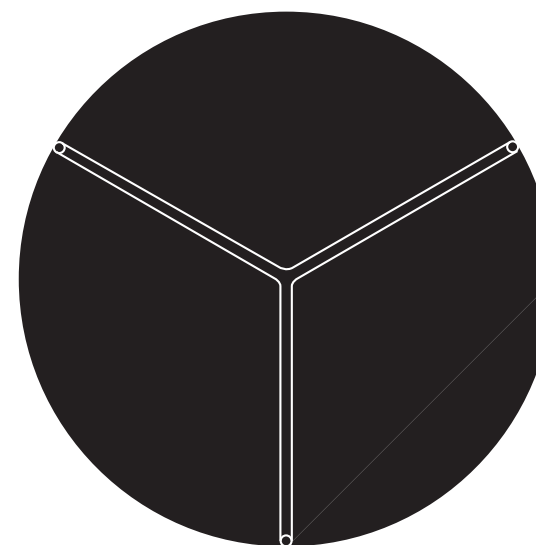
Do not use abrasives such as scouring creams, steel wool or scouring sponges as these will cause permanent scratches.

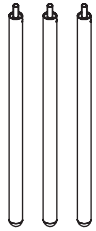
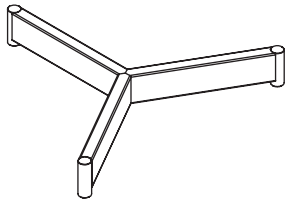
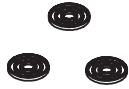
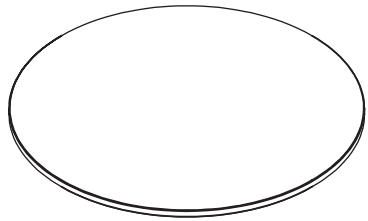
For more information about care and maintenance go to [www.warmnordic.com](http://www.warmnordic.com)

## From Above

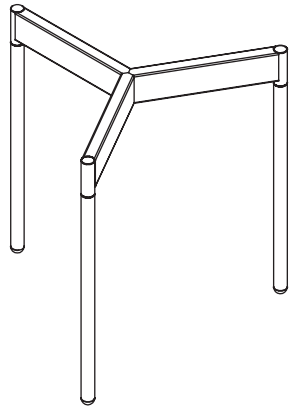
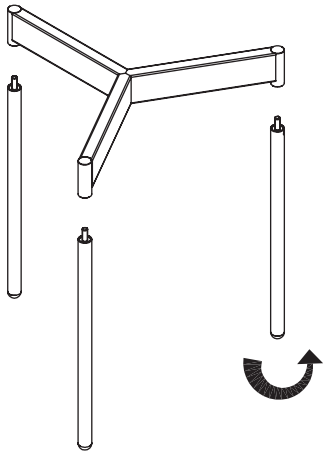
Designed by  
**Morten & Jonas**  
2017

## Assembly Instructions

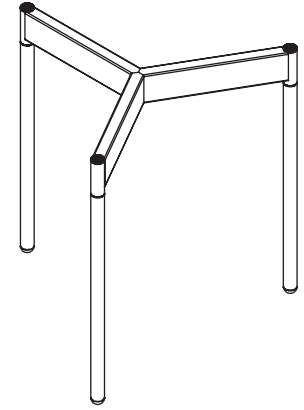
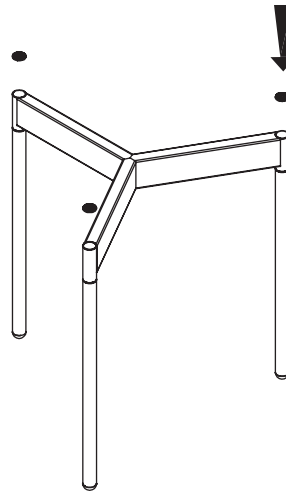




1



2



3

