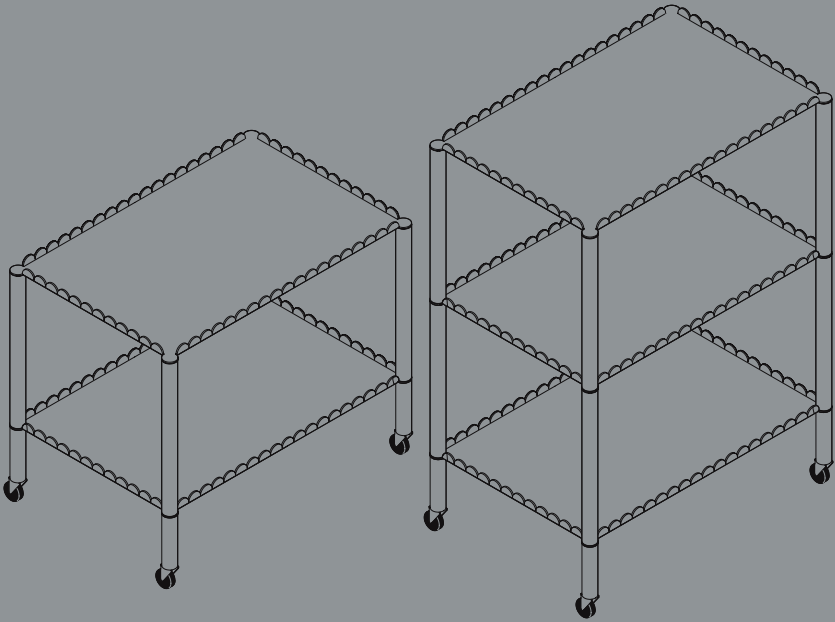


- INSTRUCTION MANUAL -

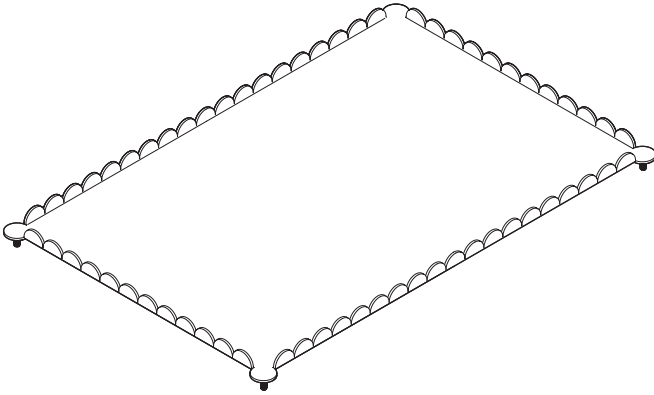
ARCS TROLLEY



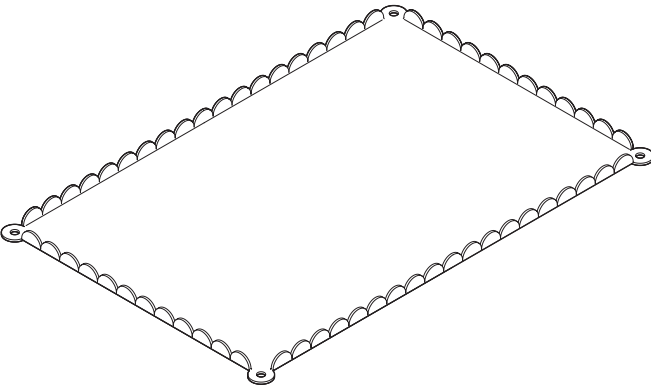
DESIGN BY MULLER VAN SEVEREN

HAY

- PARTS -



A Top shelf x1



B Middle shelf
x1 for two-tier trolley
x2 for three-tier trolley



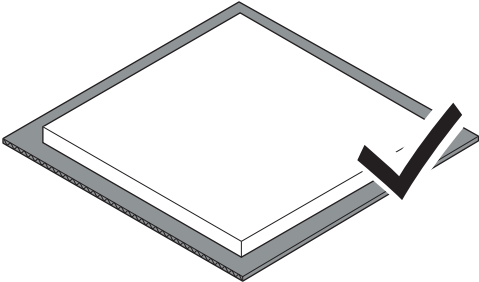
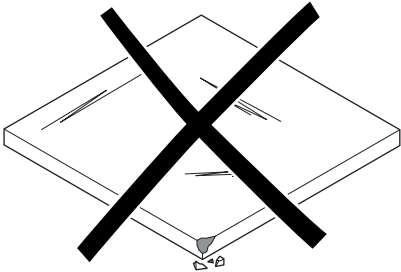
C Legs

x4 for two-tier trolley
x8 for three-tier trolley

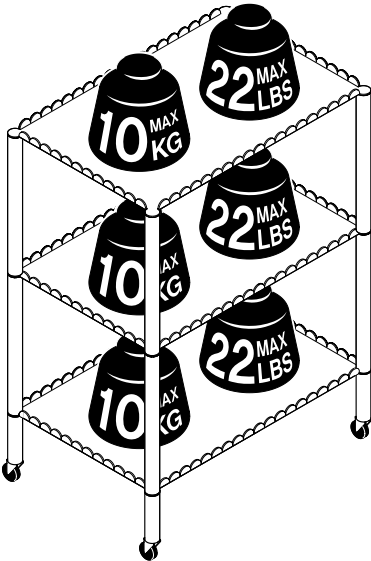
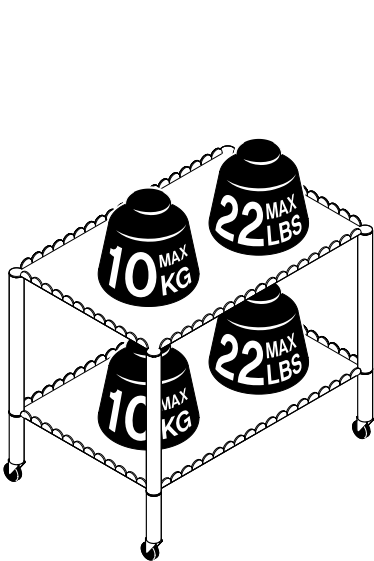


D Feet x4

Protect the product from scratches and other damage while assembling.



Max weight on each shelf is 10 kg / 22 lbs



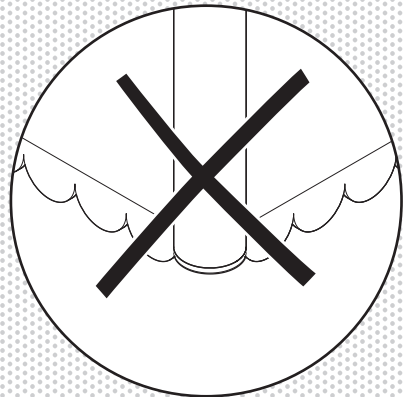
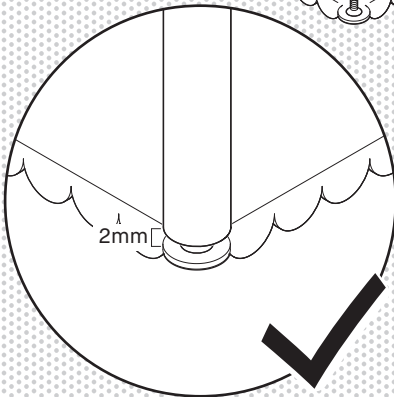
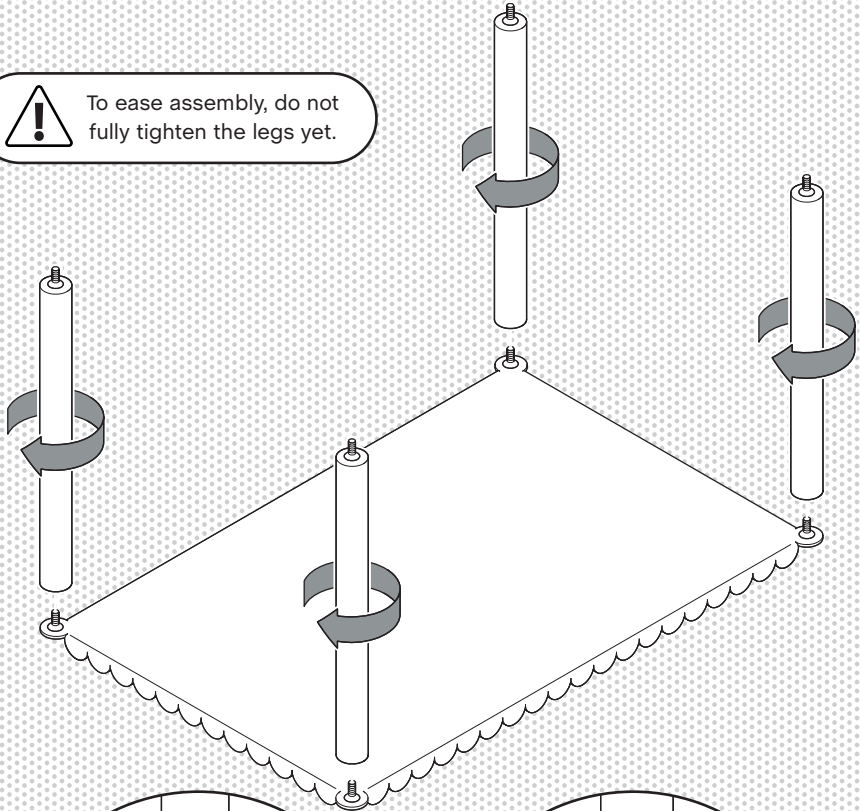
1.

Screw the legs **C** onto the top shelf **A**.

Do not tighten them fully, but leave a 2 mm gap between the shelf, as illustrated below.

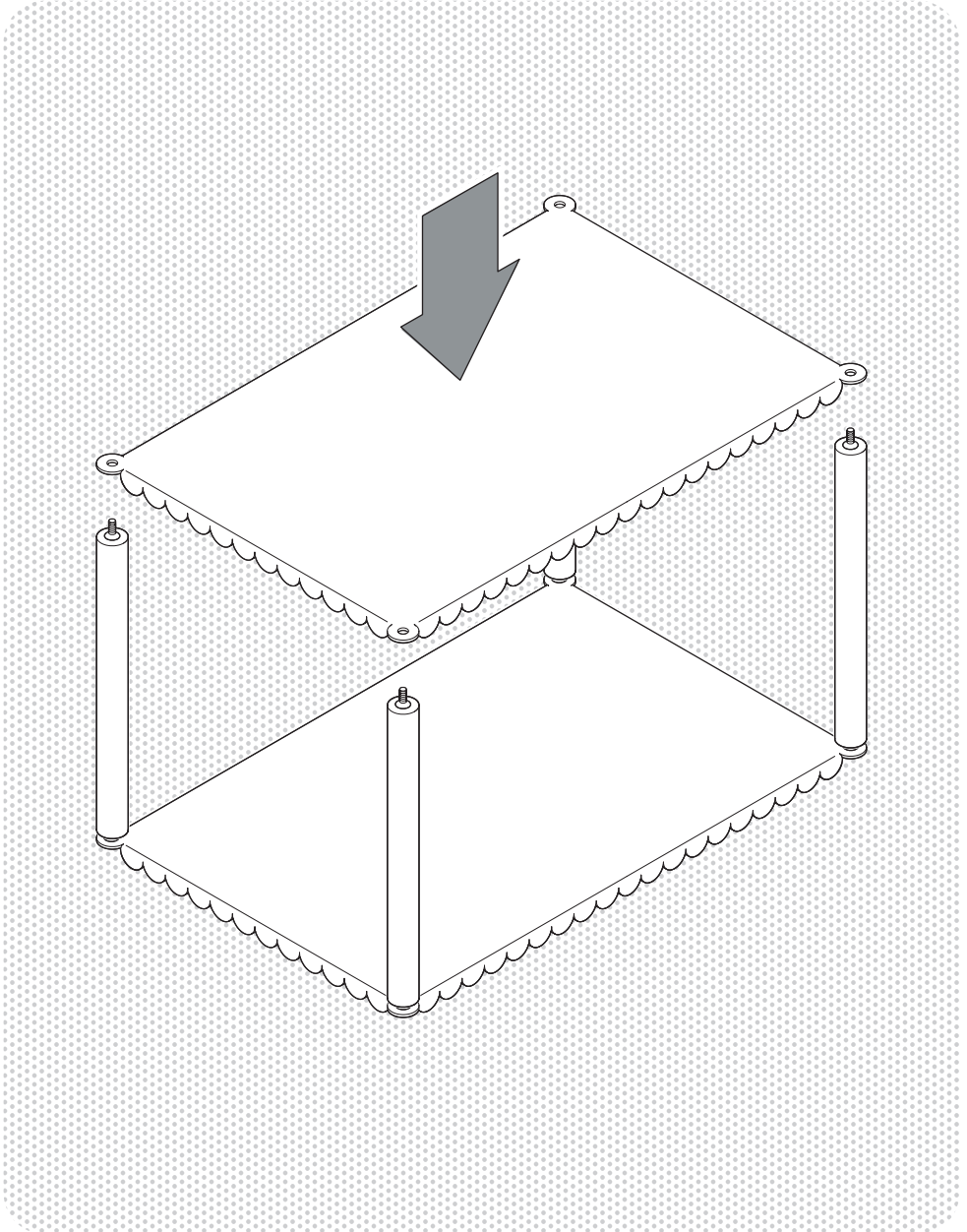


To ease assembly, do not fully tighten the legs yet.



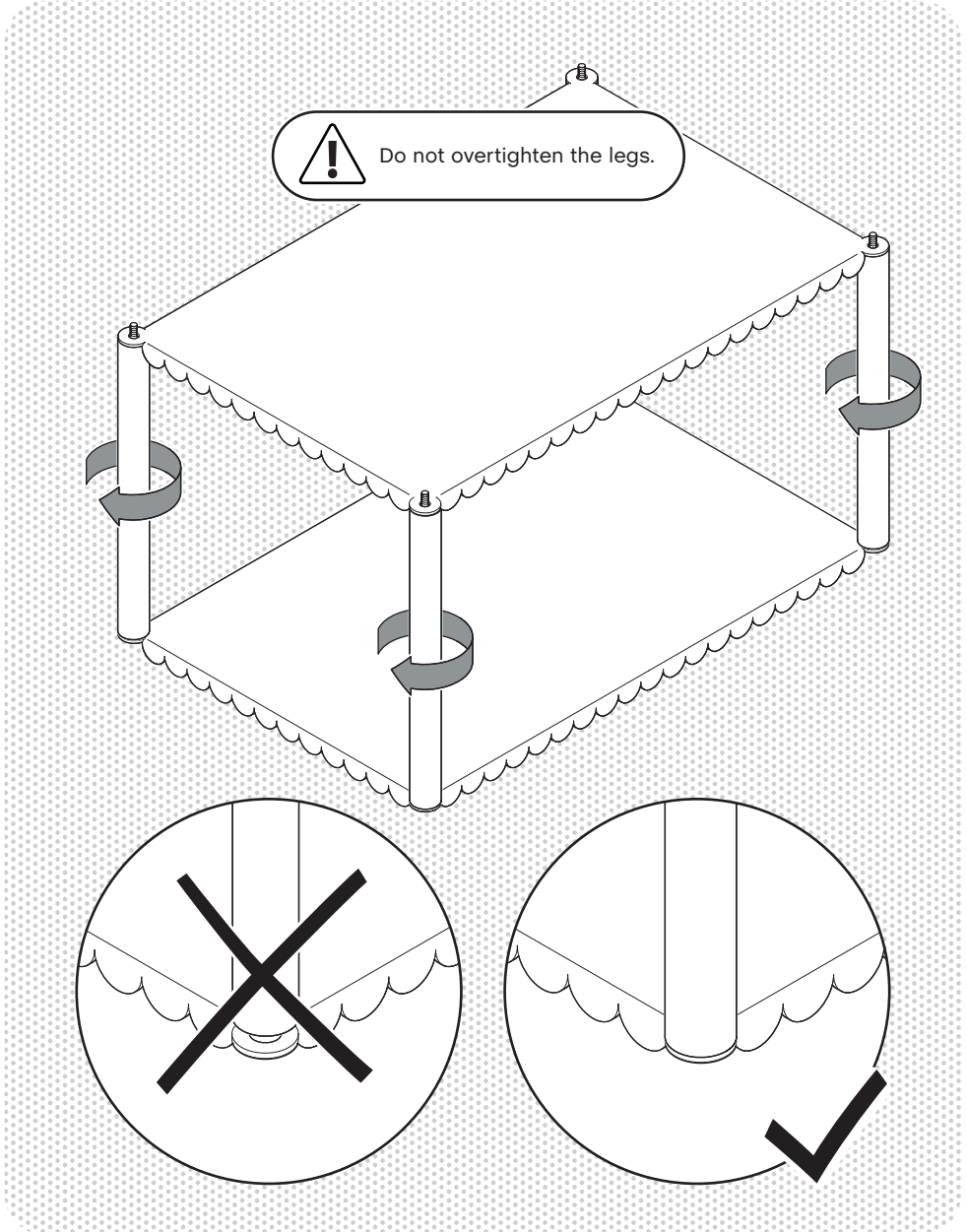
2.

Lower the middle shelf **B** onto the screws.



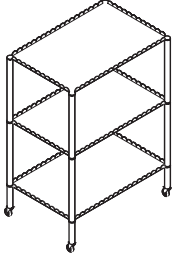
3.

Fully tighten the legs. Do not overtighten.

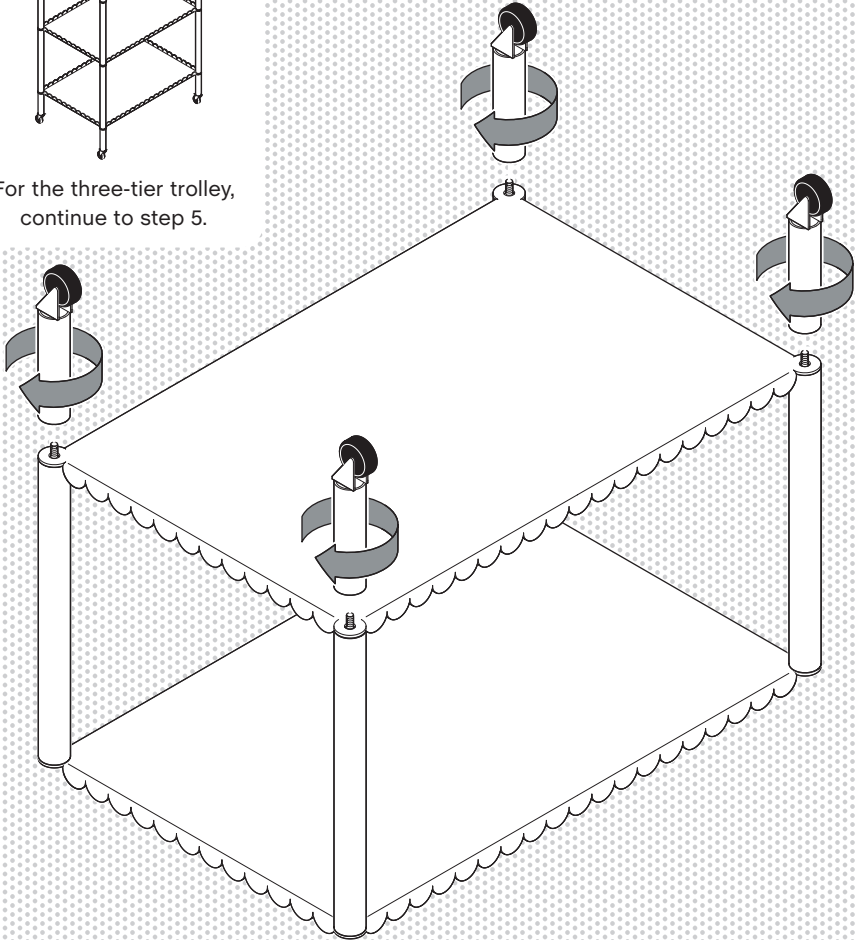


4.

Screw on the feet **D**.



For the three-tier trolley,
continue to step 5.

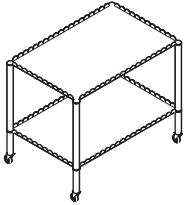


Do not overtighten the feet.

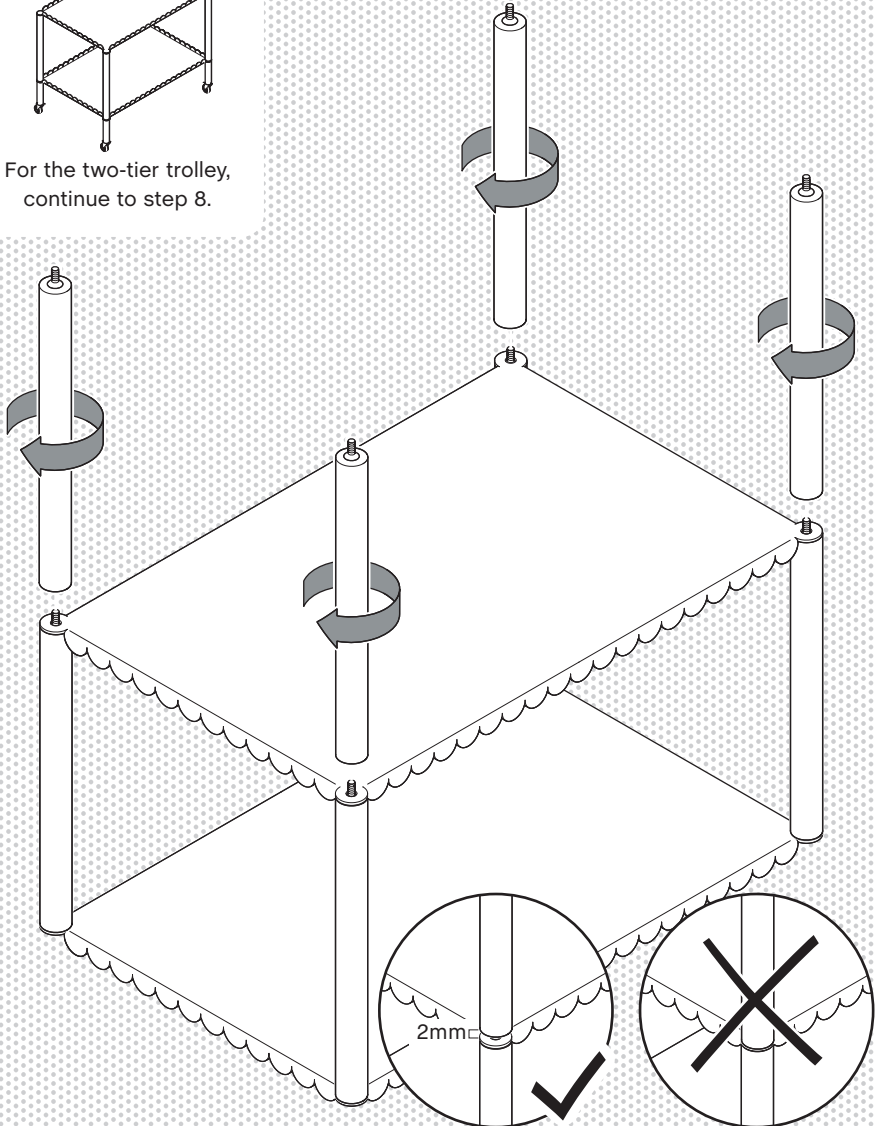
5.

Screw the legs **C** onto the middle shelf **B**.

Do not fully tighten them, but leave a 2 mm gap between the shelf, as illustrated below.

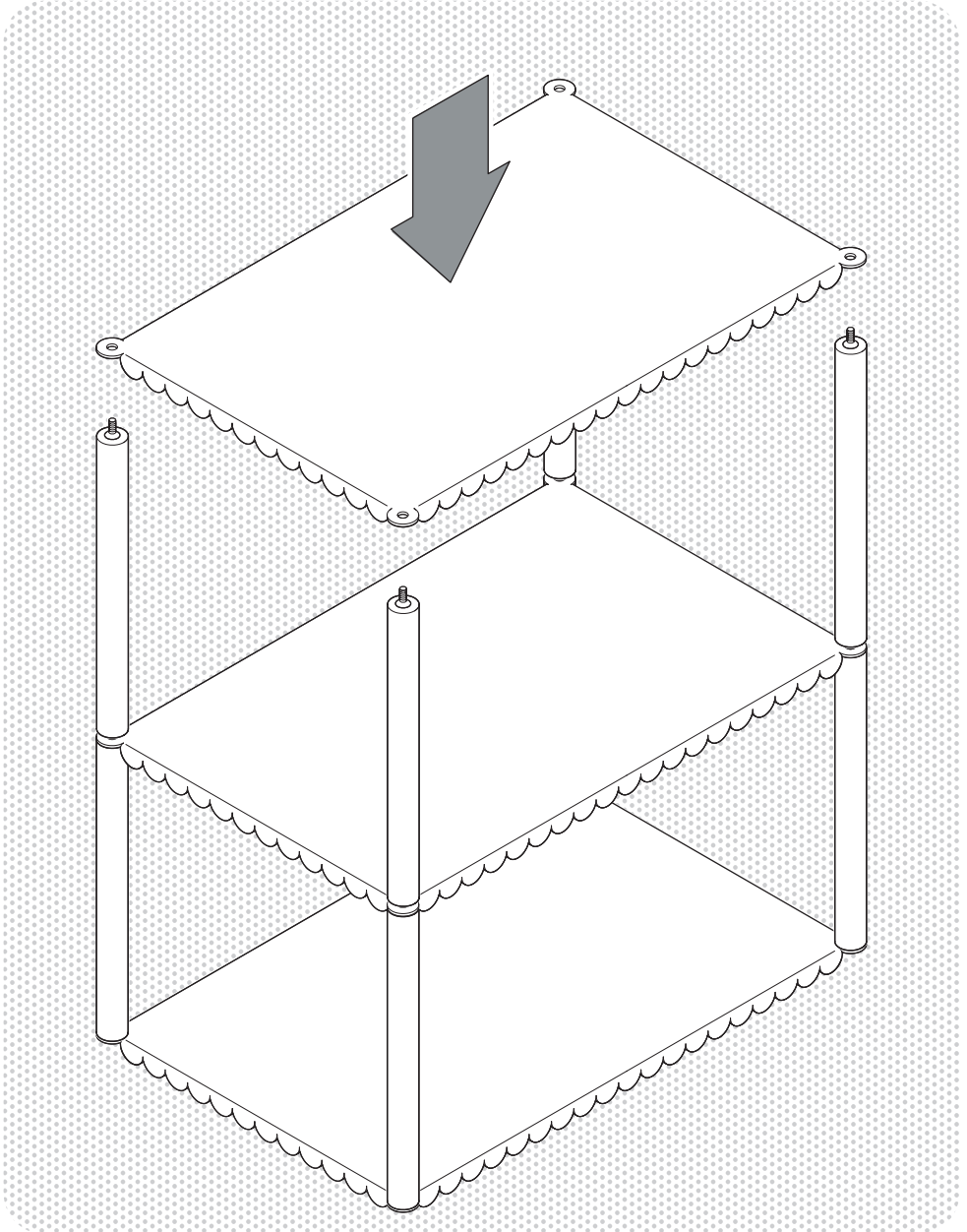


For the two-tier trolley,
continue to step 8.



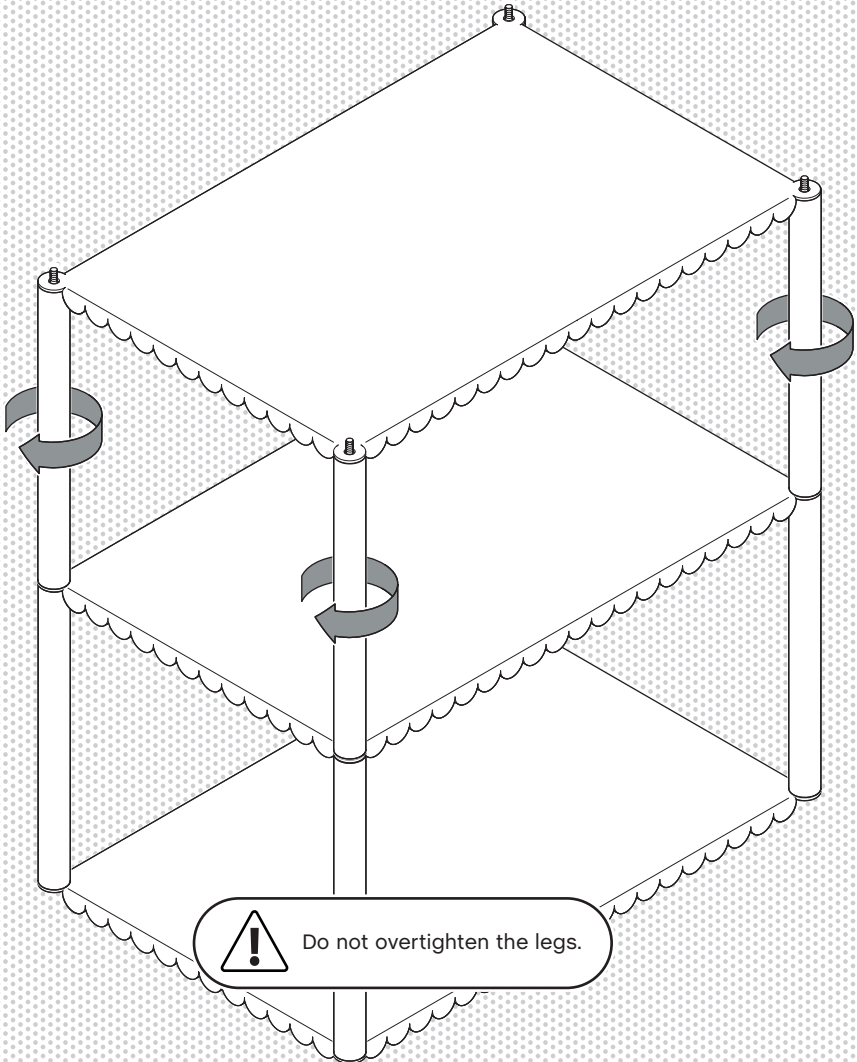
6.

Lower the second middle shelf **C** onto the screws.



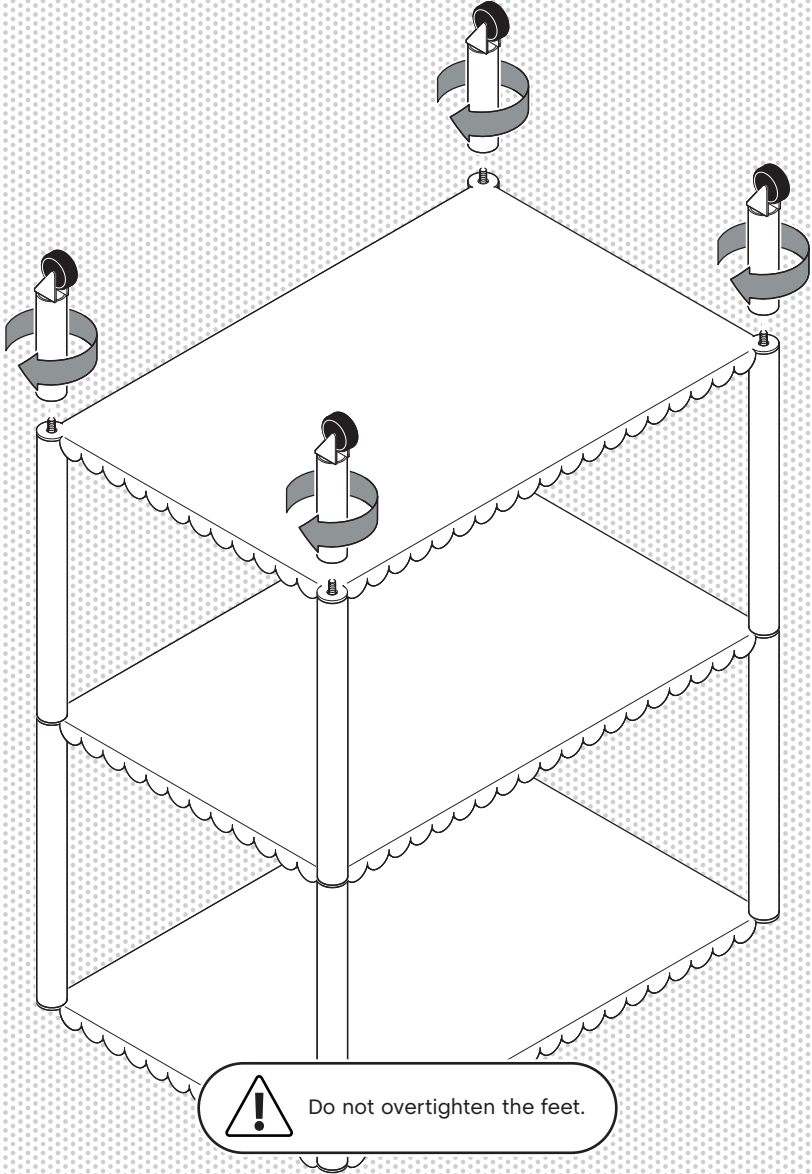
7.

Fully tighten the legs. Do not overtighten.



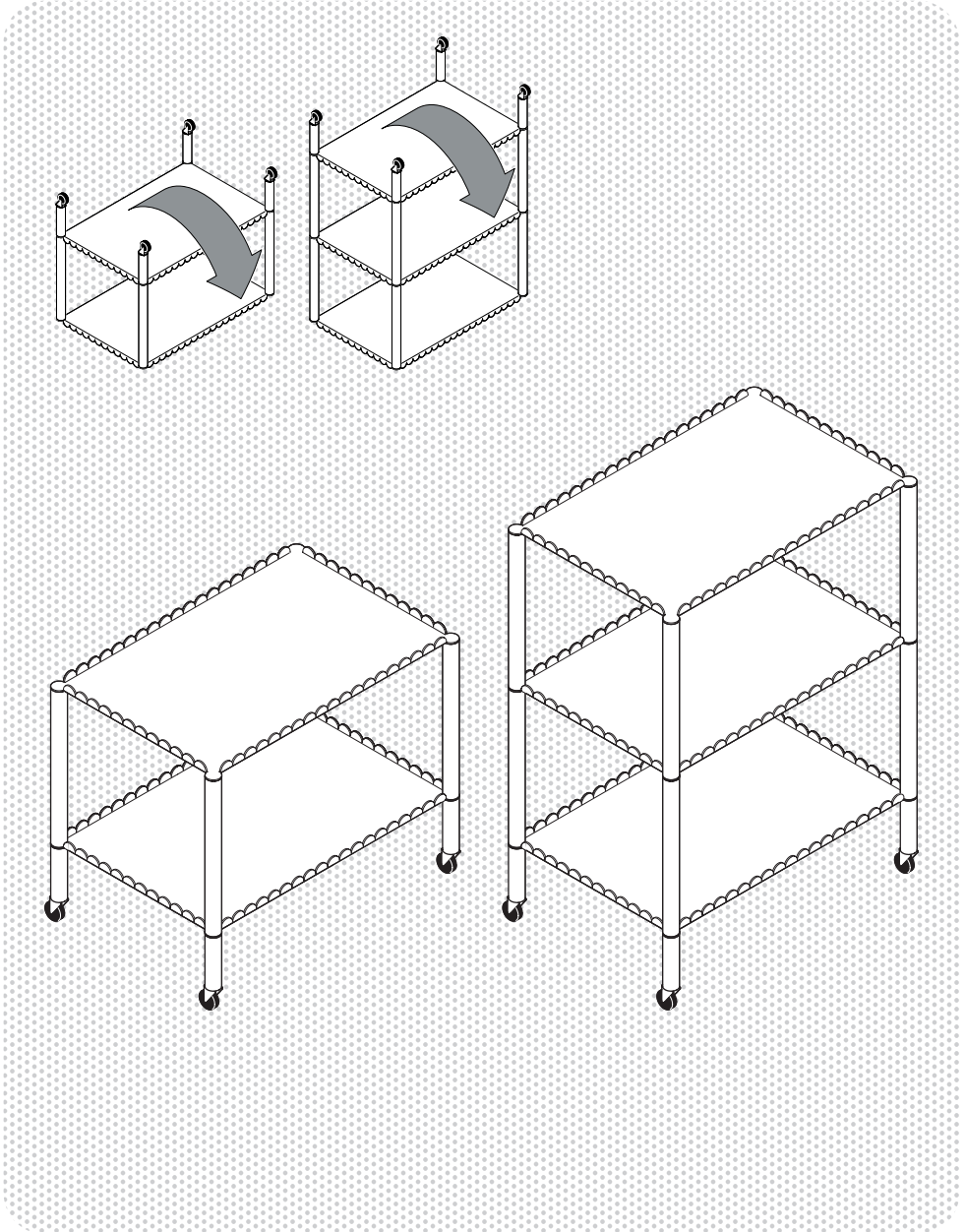
8.

Screw on the feet **D**. Do not overtighten the feet.



9.

Turn the trolley over onto its feet.



- CARE & MAINTENANCE -

Our Care & Maintenance offers guidance for optimal maintenance of your HAY product. It includes advice and instructions on cleaning and caring for specific materials to prolong the life of your furniture.



Please find our Care & Maintenance guide by scanning the QR code



You can find more relevant information on Arcs Trolley by scanning the QR code

You can also find the same information here
hay.dk/downloads

Havnen 3 8700 Horsens Denmark
+45 3164 6000 / hay@hay.com

28/06/2023

HAY