

Safety instructions

Important! Before commencing installation work disconnect the main cable from the power supply - remove fuse or turn switch to "OFF"!

1. Installation should be carried out in accordance with the local safety regulations.
2. In order to prevent damage, please check walls for cables before drilling holes.
3. Please ensure that all electrical connections (even pre-assembled lamps) are screwed tightly or are fully inserted as good contact is essential for a long life-span at high currents. Please check for tight connections after changing or adjusting lamps. Screwed connections must be tightened after 20 minutes.
4. Please do not place objects on your system (e.g. for decorative purposes) if they were not delivered with the system.
5. The lamps get very hot when in use. Please allow lamps to cool down before touching.
6. Do not change lamps or spots when switched on.
7. System should not be enlarged with additional lamps.
8. We reserve the right to technical alterations.

Please keep these instructions.

Integrated LED

Use of a dimmer is highly recommended
(Must be LED compatible.)

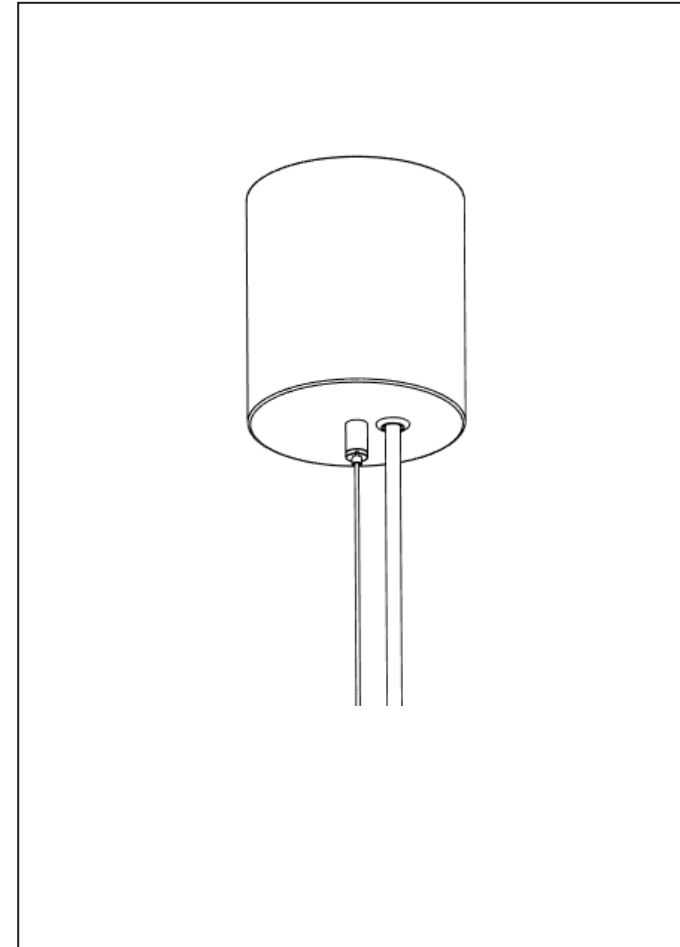
The glass used for this lamp is hand-blown.

Only 1st. quality has been chosen.

Air bubbles and variations in thickness and colour is normal.

Ceiling Cup - Wire

Assembly Instructions



NUURA

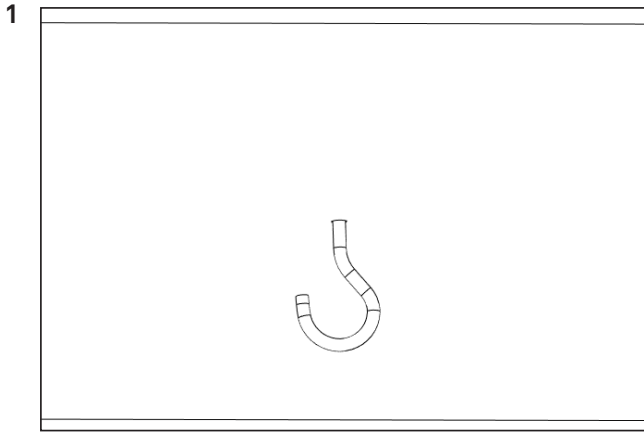
www.nuura.com
info@nuura.com

© 2020 All rights reserved

CE

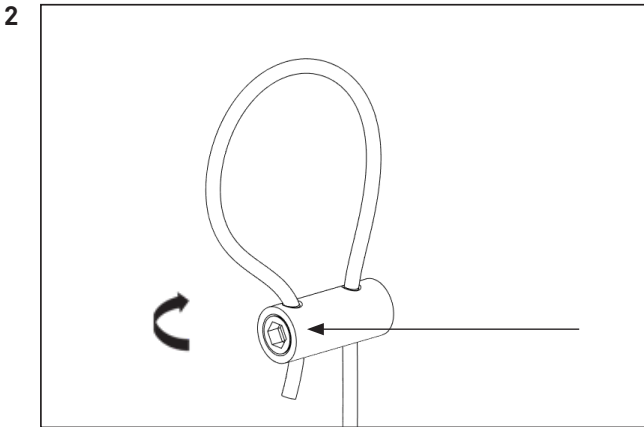
NUURA

© 2020 All rights reserved

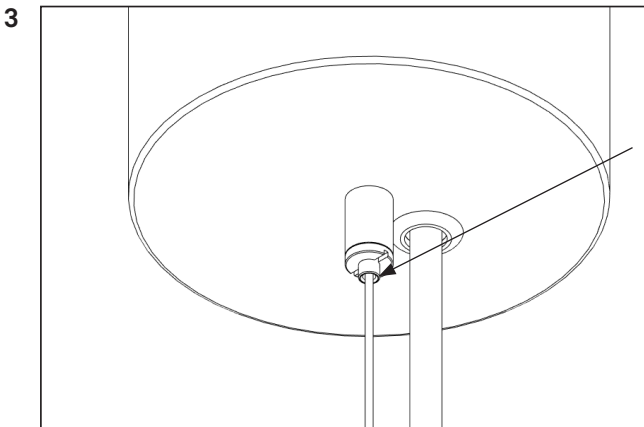


Make sure your hook is secure mounted in the ceiling.

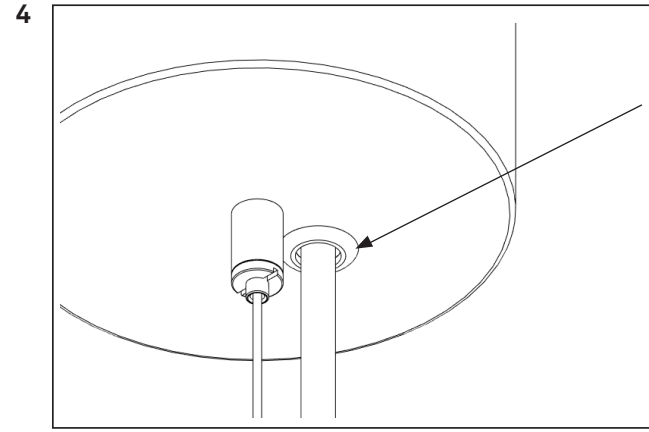
(Hook not included)



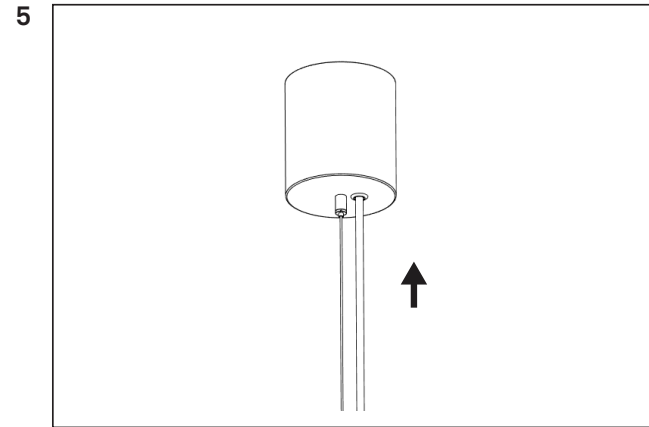
Loosen the screws on both sides to adjust the wire, and cut if needed to find the correct length.



Push to adjust the cable going in.



Run the cable through the canopy.



Attach the wire to the hook, and make sure the lamp is in the correct height

Connect the cable to a power outlet

Push the wire adjuster to slide the canopy to the ceiling.